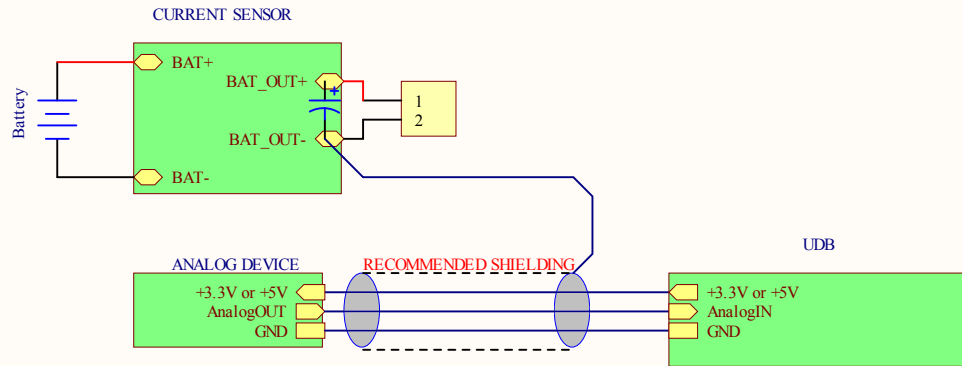
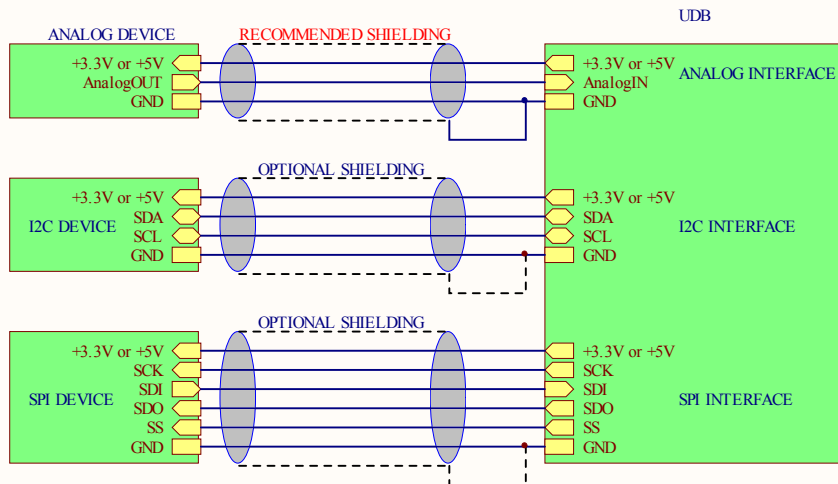


RECOMMENDED BUT DIFFICULT TO REALIZE



RECOMMENDED AND EASY TO REALIZE



PLEASE NOTE, THE ANALOG DEVICE LINES SHIELDING IS MANDATORY

WHILE THE DIGITAL DEVICE LINES SHIELDING IS OPTIONAL

Title		
Size	Number	Revision
A4		
Date:	15.06.2012	Sheet of
File:	C:\Users\...\Sensors.SchDoc	Drawn By: