

SCM150-XXX Axial Flux, Brushless PM Motor

The New Generation Motors (NGM) SCM150 motor is ideal for small, direct drive, experimental electric vehicles where efficiency is key. The SCM150 motor can be driven as a 3-phase AC synchronous or DC brushless electric motor with advanced capabilities and superior efficiency. Standard features include:

- *High Power Rare Earth Permanent Magnets*
- *Variable gap mechanism allows for torque constant to be changed on the fly.*
- *Fits NGM solar car wheel, NGM PN 300-000115.*
- *Ultra high efficiency*
- *Open motor design for improved thermal performance and reduced weight.*
- *Field proven -- Used by top 5 finishers in Sunrayce 99 and ASC 2001*

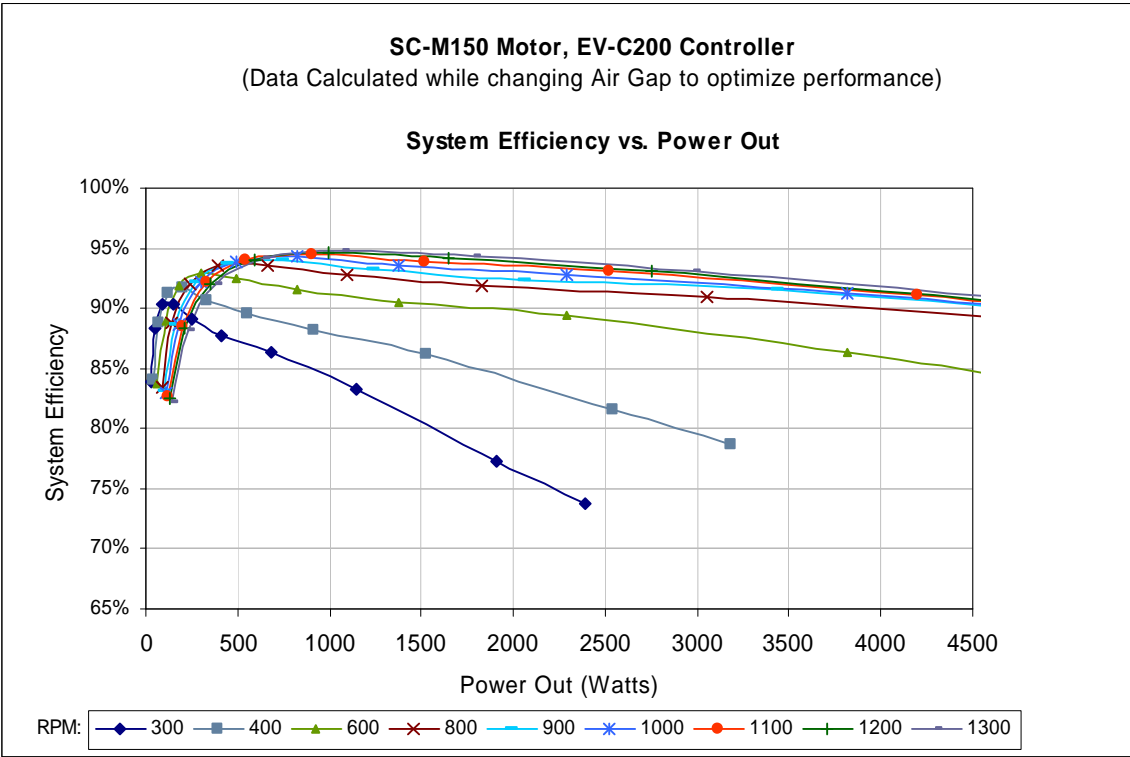
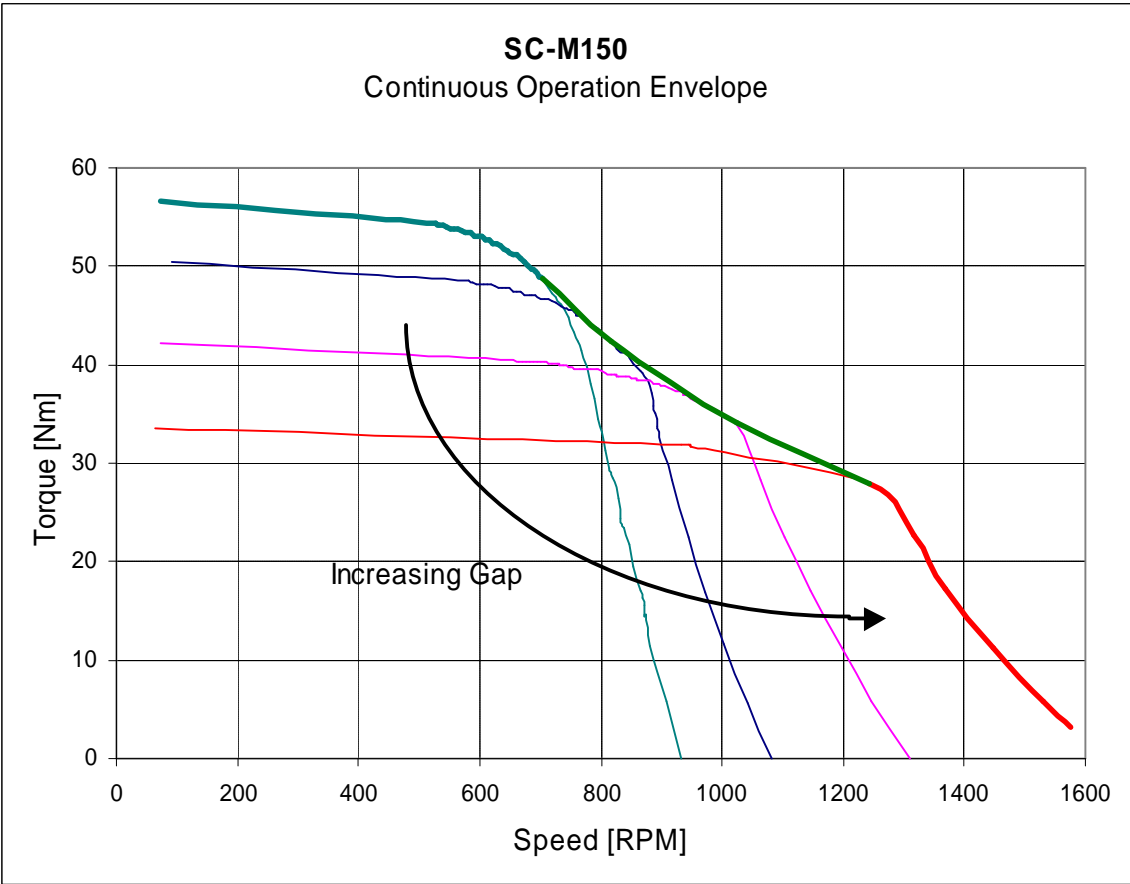


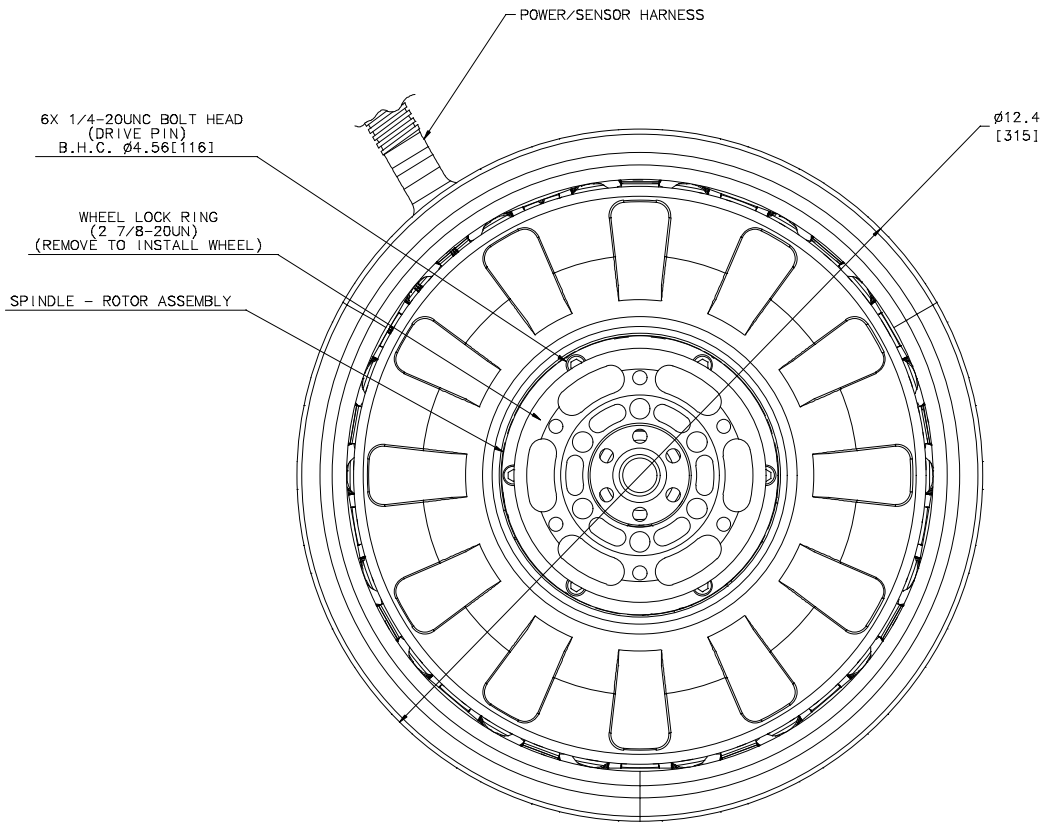
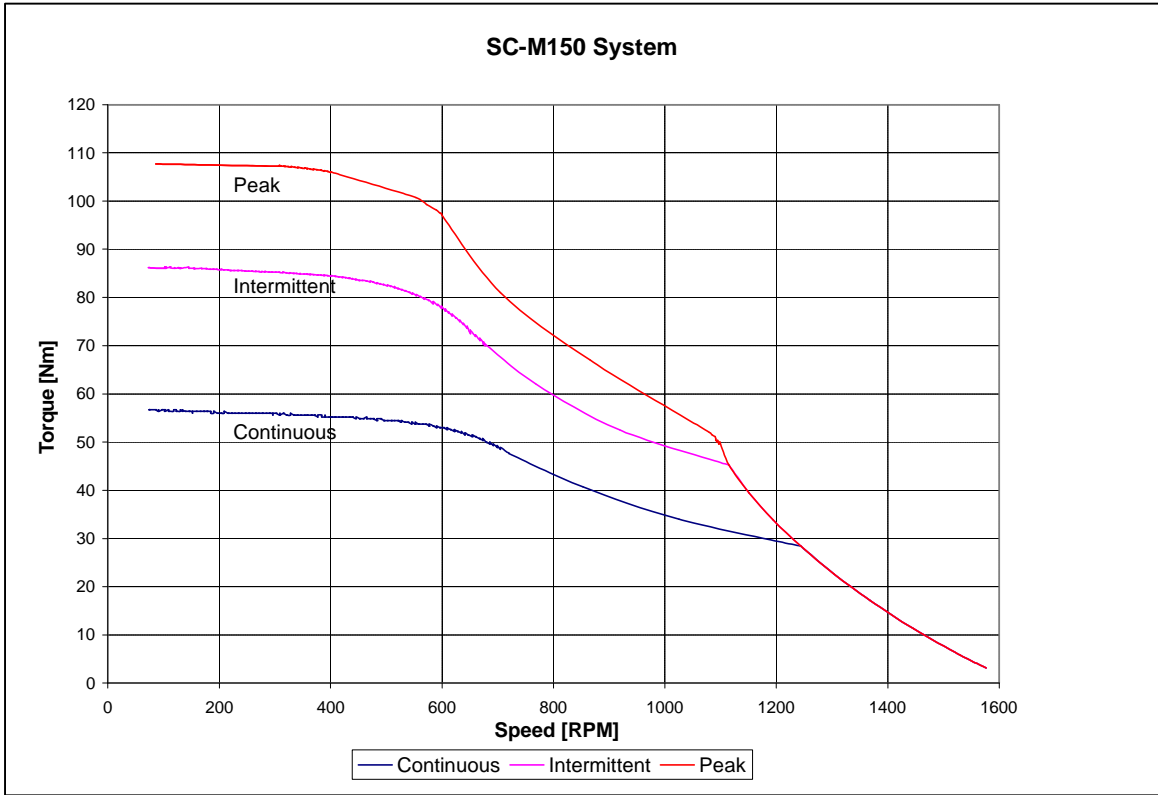
* Specifications (*Preliminary*)

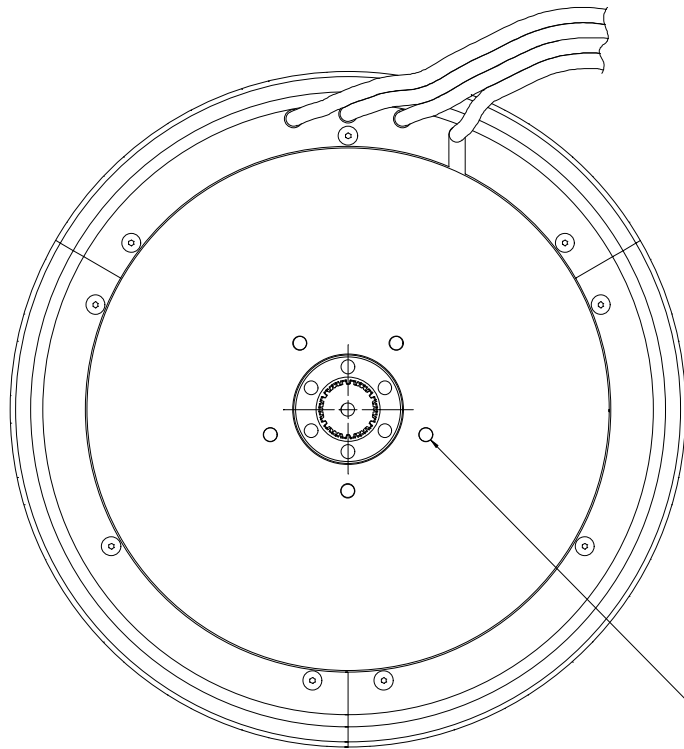
		SCM150
Peak Power	kW	7.5
Continuous Power @ V_{nom}	kW	3.75
Speed @ Peak Power	RPM	1300
No-Load Speed	RPM	1700
Peak Torque @ I_{max} (T_p)	Nm	135
DC Bus Voltage Nominal (V_{nom})	V	96 & 48
Weight	kg	20

For more information, contact:

New Generation Motors Corporation
44645 Guilford Drive, Suite 201
Ashburn, Virginia 20147
(703) 858-0036 (Voice)
(703) 858-0602 (Fax)
Email: info@ngmcorp.com







MOTOR MOUNTING INTERFACE
 5X 1/4-20UNC HELICAL INSERTS
 B.H.C. $\phi 3.00$ [76] $\mp .450$
 EQUALLY SPACED AT 72°

