



Serial/LED

serial.sch

Host Interface

hostif.sch

CPU Timing & Decode

cpudecode.sch

Network

network.sch

Configuration

config.sch

Unknown

unknown.sch

Expansion Port

expansion.sch

Magnolia Microsystems

Sheet: /

File: mms77422.sch

Title: 77422 Network/Co-processor

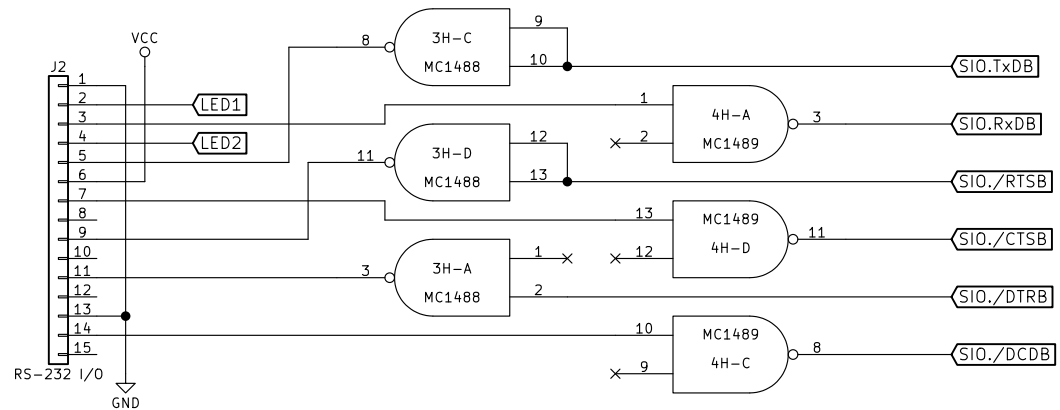
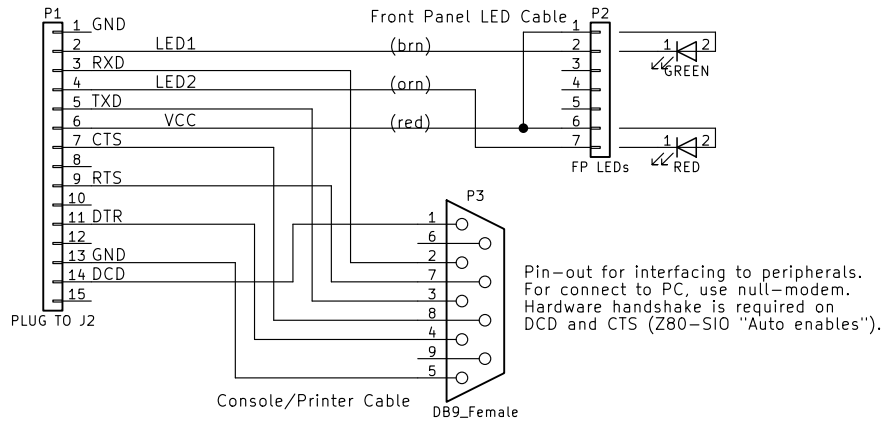
Size: A4

Date: 2018-12-05

Rev:

KiCad E.D.A. kicad 4.0.7+dfsg1-1ubuntu2

Id: 1/8



Magnolia Microsystems

Sheet: /Serial/LED/

File: serial.sch

Title: MMS77422 Serial/LED Interface

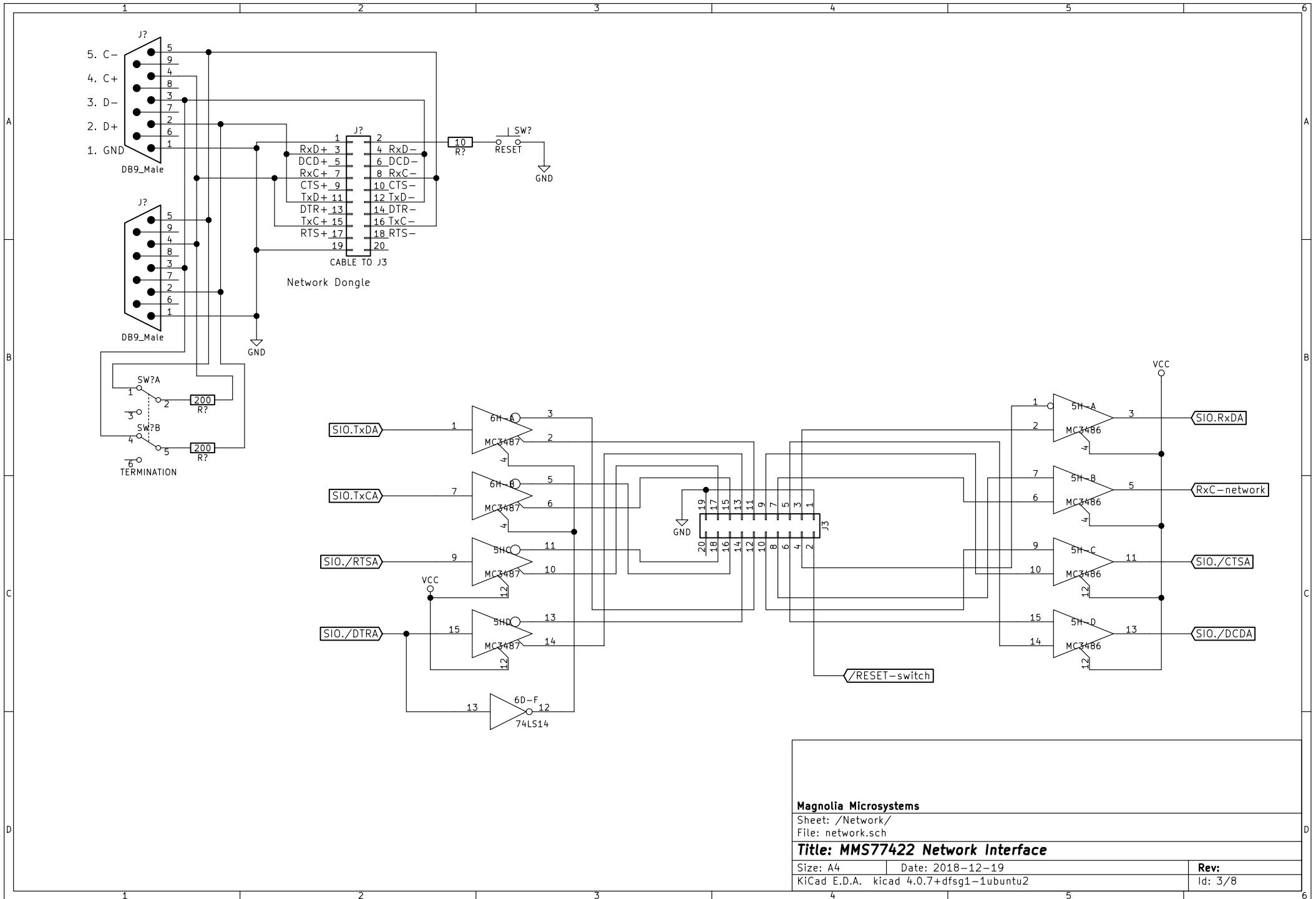
Size: A4

Date: 2018-12-19

Rev:

KiCad E.D.A. kicad 4.0.7+dfsg1-1ubuntu2

Id: 2/8



Magnolia Microsystems

Sheet: /Network/

File: network.sch

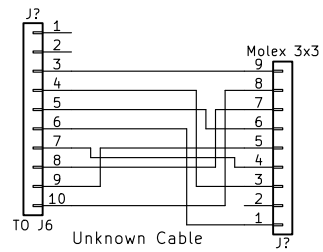
Title: MMS77422 Network Interface

Size: A4 Date: 2018-12-19

KiCad E.D.A. kicad 4.0.7+dfsg1-1ubuntu2

Rev:

Id: 3/8

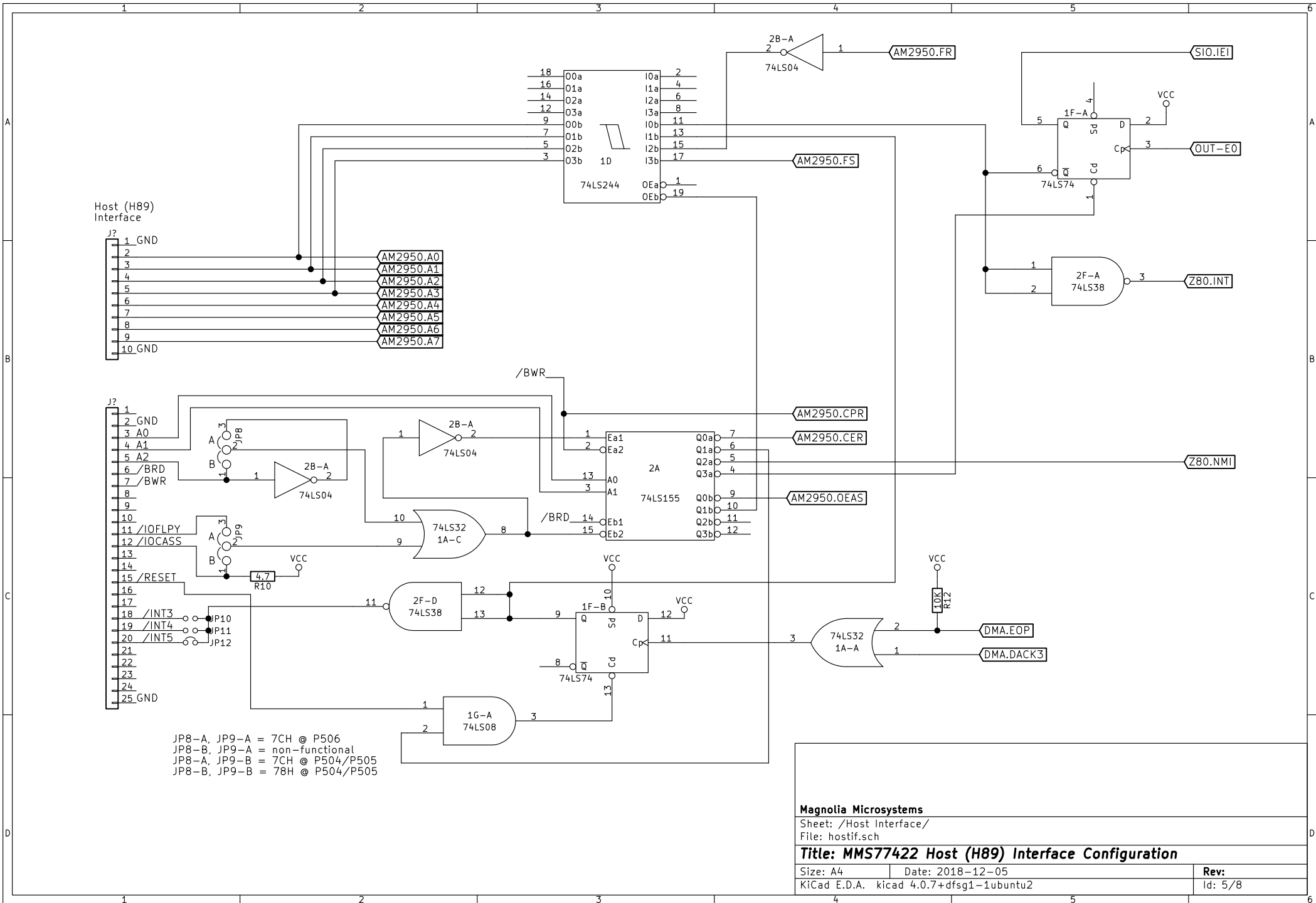


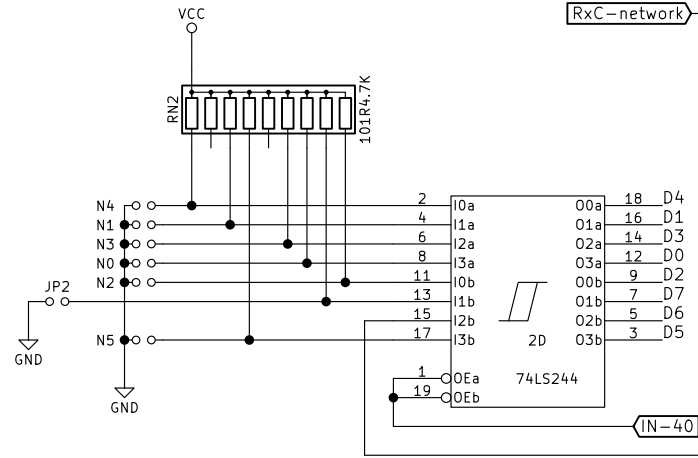
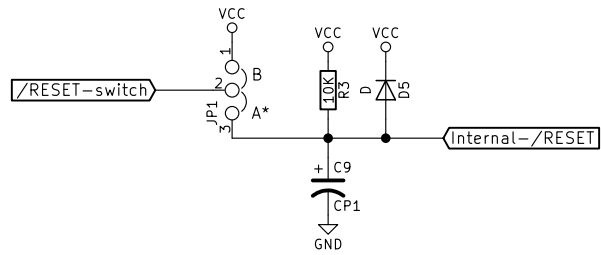
Sheet: /Unknown/
 File: unknown.sch

Title: Unknown Expansion Cable/Unknown Origin

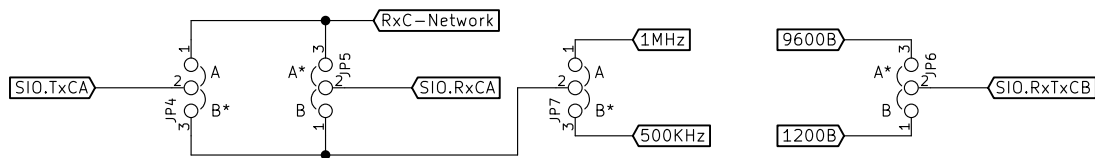
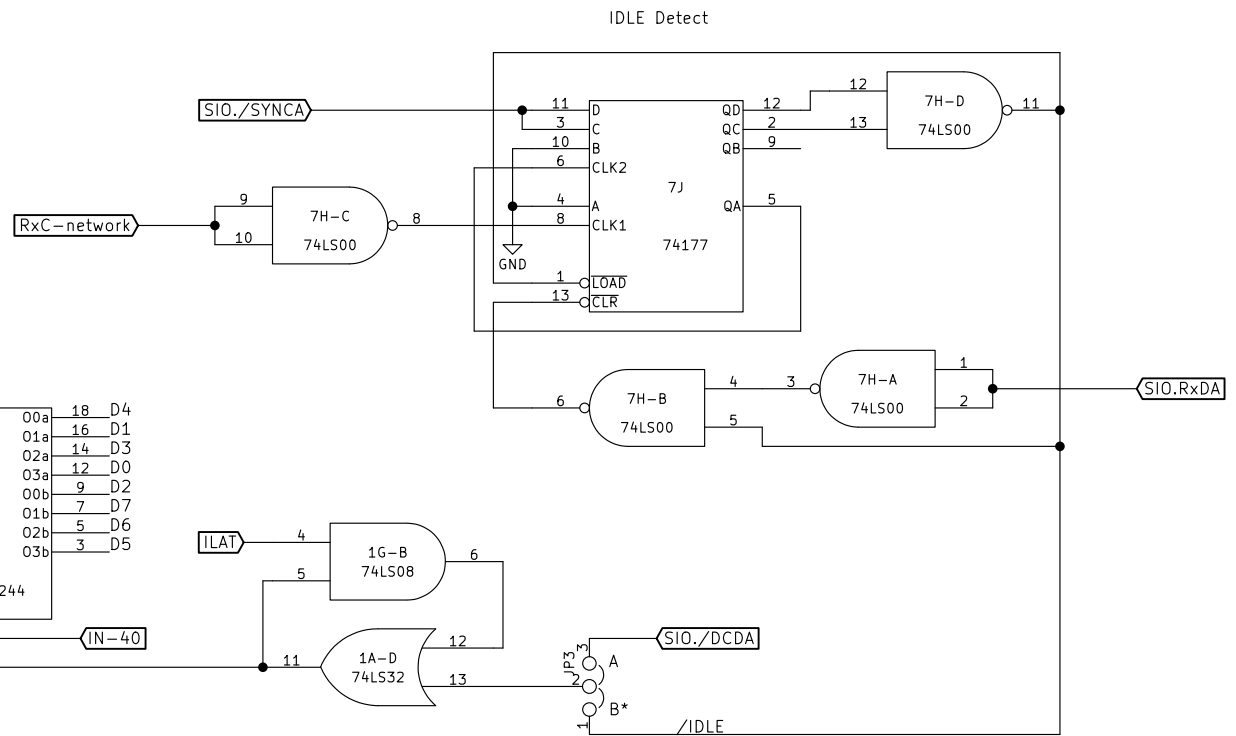
Size: A4 Date: 2018-12-05
 KiCad E.D.A. kicad 4.0.7+dfsg1-1ubuntu2

Rev:
 Id: 4/8





JP2-0N = Printer Server (no host interface)
 N0-N5 = binary node ID, jumper = "1"



Network Clock Configuration
 Only valid configured as shown (*)

RS-232 Baud Select
 JP6-A = 9600 baud
 JP6-B = 1200 baud

Magnolia Microsystems

Sheet: /Configuration/
 File: config.sch

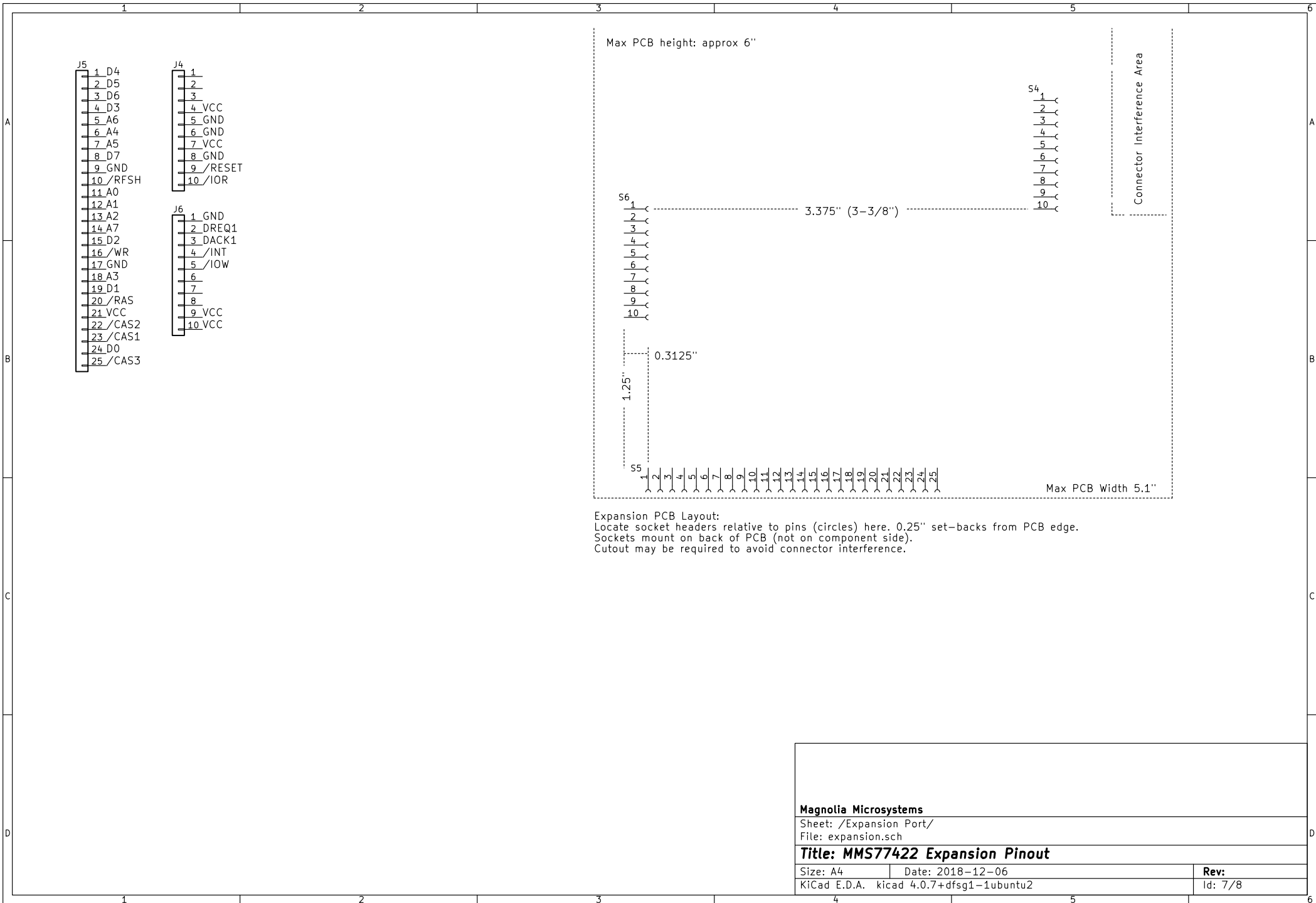
Title: MMS77422 Node Configuration

Size: A4 Date: 2018-12-18

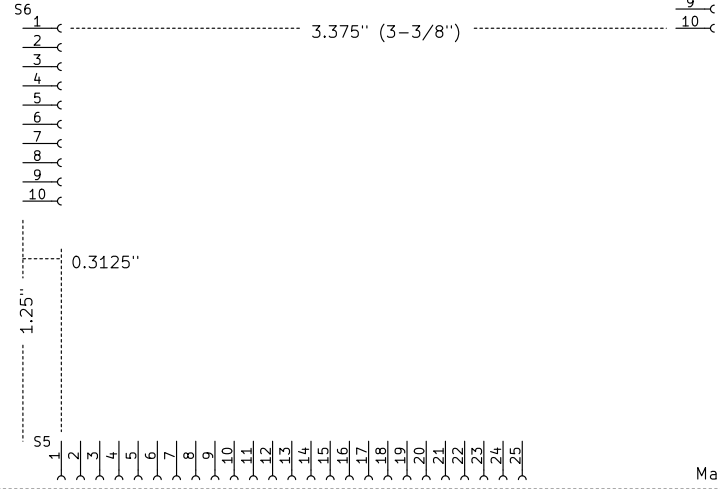
KiCad E.D.A. kicad 4.0.7+dfsg1-1ubuntu2

Rev:

Id: 6/8



- J5**
- 1 D4
 - 2 D5
 - 3 D6
 - 4 D3
 - 5 A6
 - 6 A4
 - 7 A5
 - 8 D7
 - 9 GND
 - 10 /RFSH
 - 11 A0
 - 12 A1
 - 13 A2
 - 14 A7
 - 15 D2
 - 16 /WR
 - 17 GND
 - 18 A3
 - 19 D1
 - 20 /RAS
 - 21 VCC
 - 22 /CAS2
 - 23 /CAS1
 - 24 D0
 - 25 /CAS3
- J4**
- 1
 - 2
 - 3
 - 4 VCC
 - 5 GND
 - 6 GND
 - 7 VCC
 - 8 GND
 - 9 /RESET
 - 10 /IOR
- J6**
- 1 GND
 - 2 DREQ1
 - 3 DACK1
 - 4 /INT
 - 5 /IOW
 - 6
 - 7
 - 8
 - 9 VCC
 - 10 VCC



Magnolia Microsystems	
Sheet: /Expansion Port/ File: expansion.sch	
Title: MMS77422 Expansion Pinout	
Size: A4	Date: 2018-12-06
KiCad E.D.A. kicad 4.0.7+dfsg1-1ubuntu2	Rev: 7/8

