



Serial/LED

serial.sch

Host Interface

hostif.sch

CPU Timing & Decode

cpudecode.sch

Network

network.sch

Configuration

config.sch

Unknown

unknown.sch

Expansion Port

expansion.sch

Magnolia Microsystems

Sheet: /

File: mms77422.sch

Title: 77422 Network/Co-processor

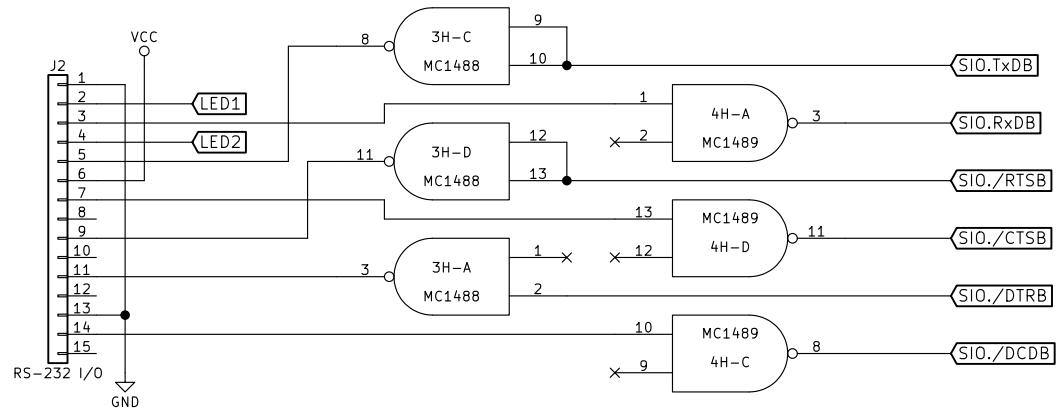
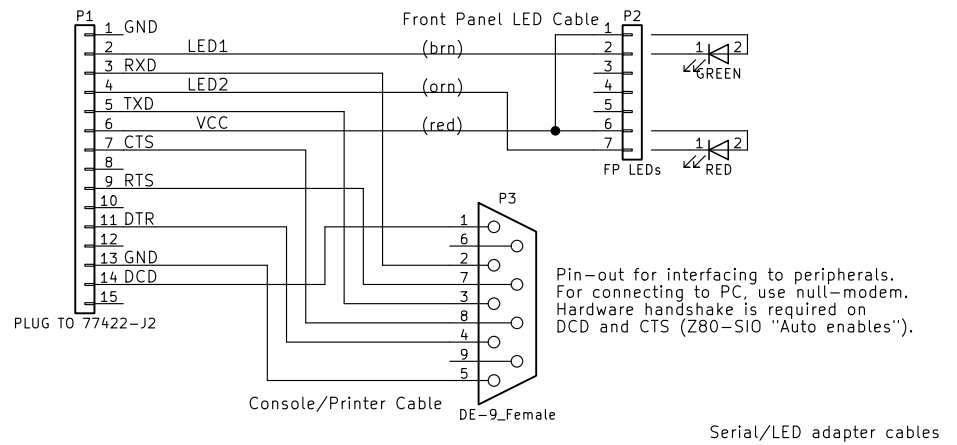
Size: A4

Date: 2018-12-05

Rev:

KiCad E.D.A. kicad 4.0.7+dfsg1-1ubuntu2

Id: 1/8



Magnolia Microsystems

Sheet: /Serial/LED/

File: serial.sch

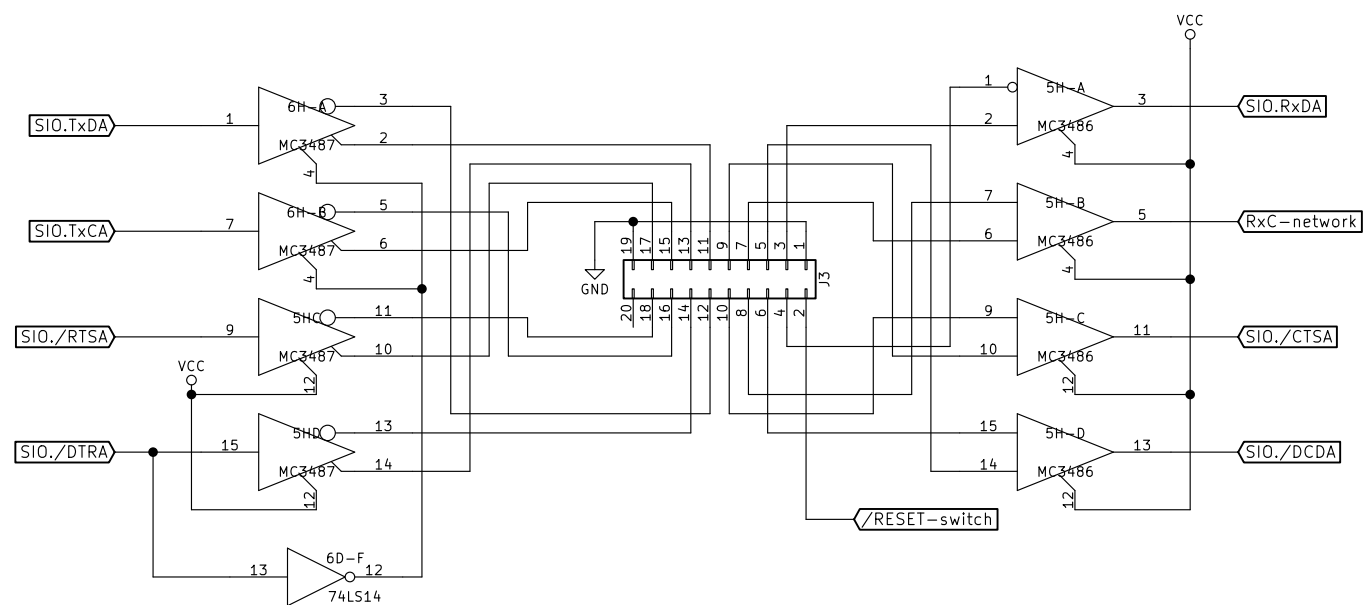
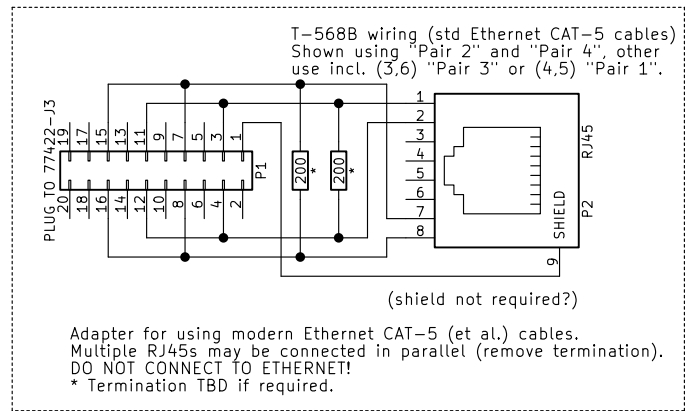
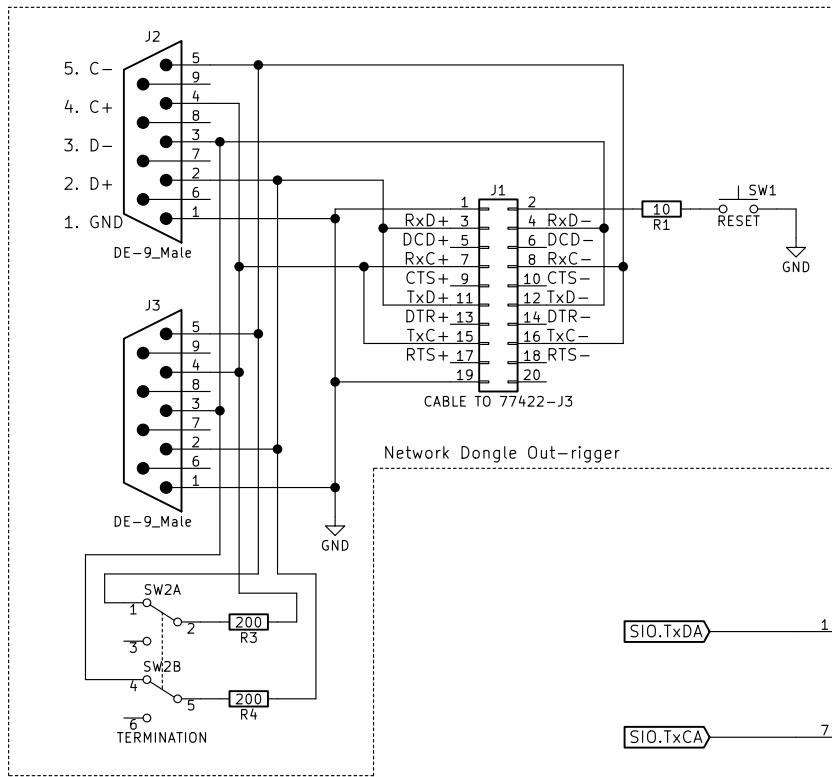
Title: MMS77422 Serial/LED Interface

Size: A4 Date: 2018-12-19

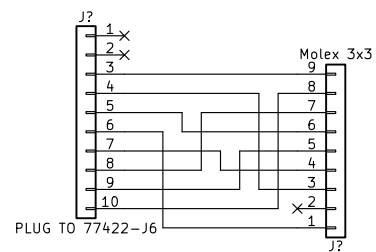
KiCad E.D.A. kicad 4.0.7+dfsg1-1ubuntu2

Rev:

Id: 2/8



Magnolia Microsystems	
Sheet: /Network/	
File: network.sch	
Title: MMS77422 Network Interface	
Size: A4	Date: 2018-12-27
KiCad E.D.A. kicad 4.0.7+dfsg1-1ubuntu2	Rev: Id: 3/8



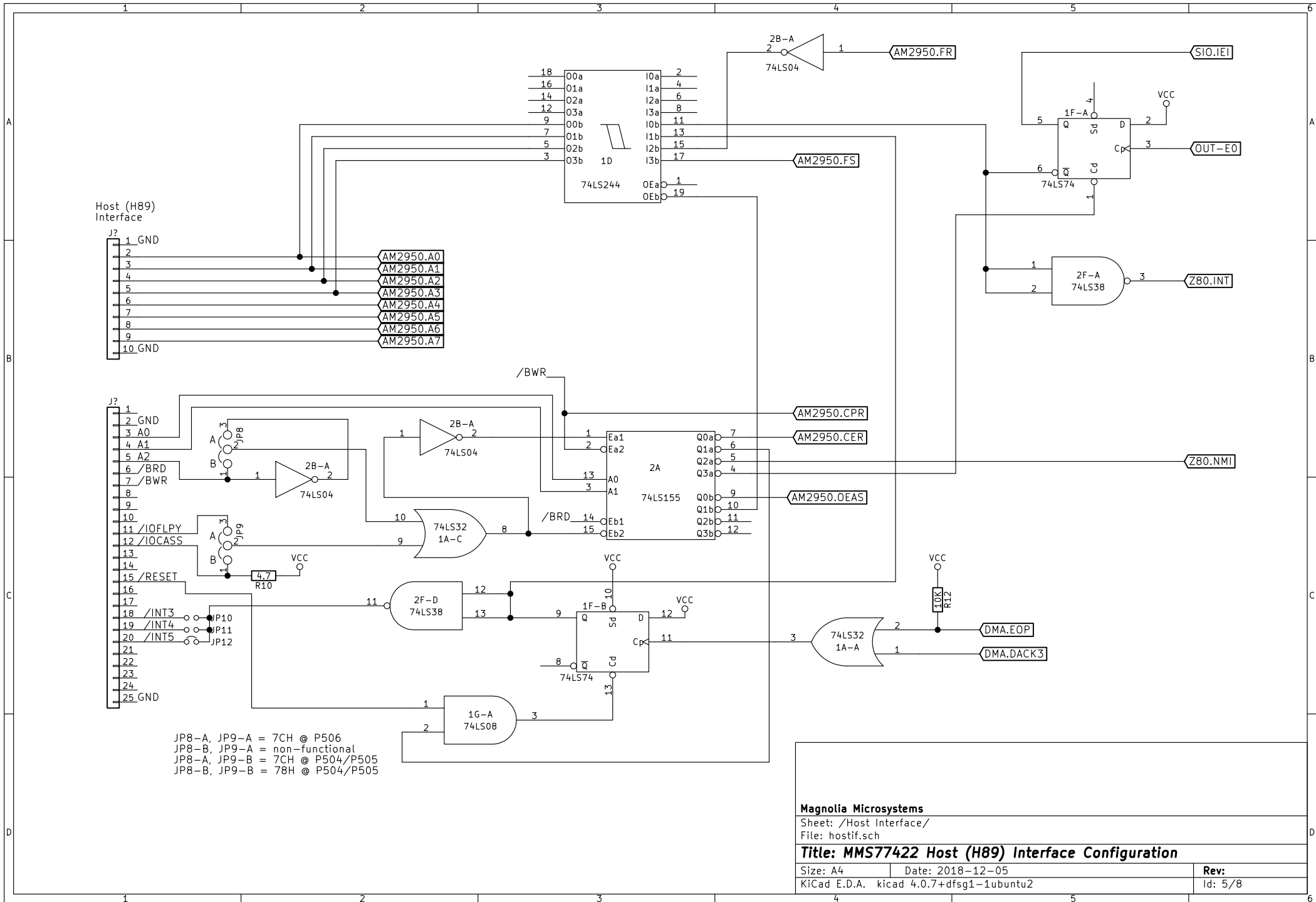
This cable appears to have been intended to interface to DMA Channel 1,
however additional connections would have been required for data.
DO NOT USE

Sheet: /Unknown/
File: unknown.sch

Title: Unknown Expansion Cable/Unknown Origin

Size: A4 Date: 2018-12-05
KiCad E.D.A. kicad 4.0.7+dfsg1-1ubuntu2

Rev:
Id: 4/8



Magnolia Microsystems

Sheet: /Host Interface/

File: hostif.sch

Title: MMS77422 Host (H89) Interface Configuration

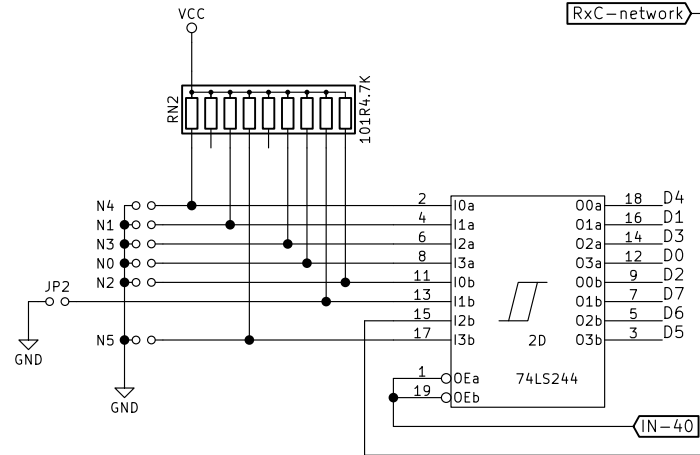
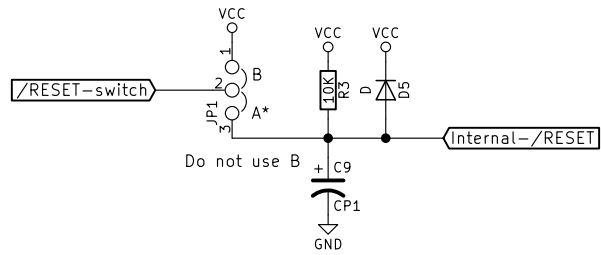
Size: A4

Date: 2018-12-05

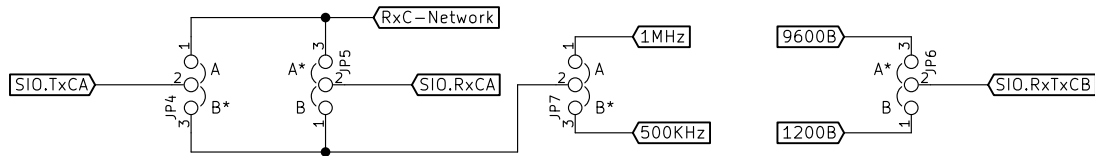
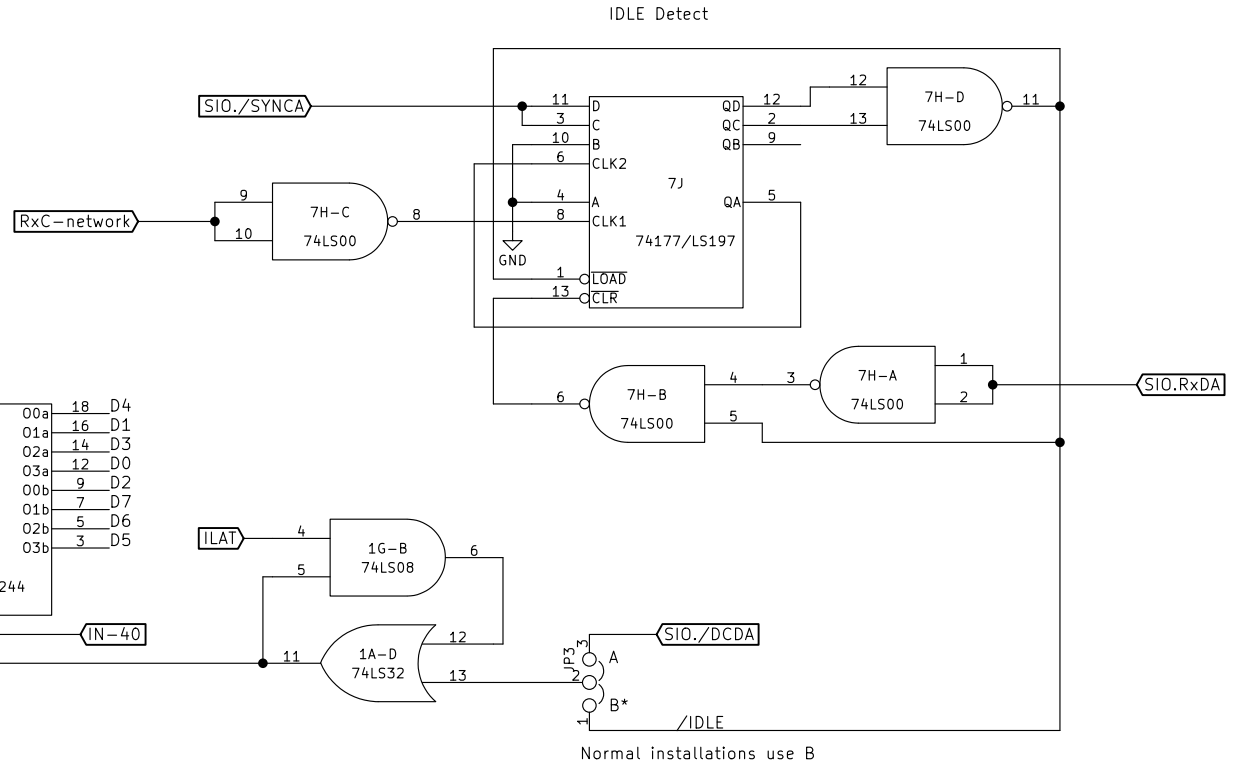
Rev:

KiCad E.D.A. kicad 4.0.7+dfsg1-1ubuntu2

Id: 5/8



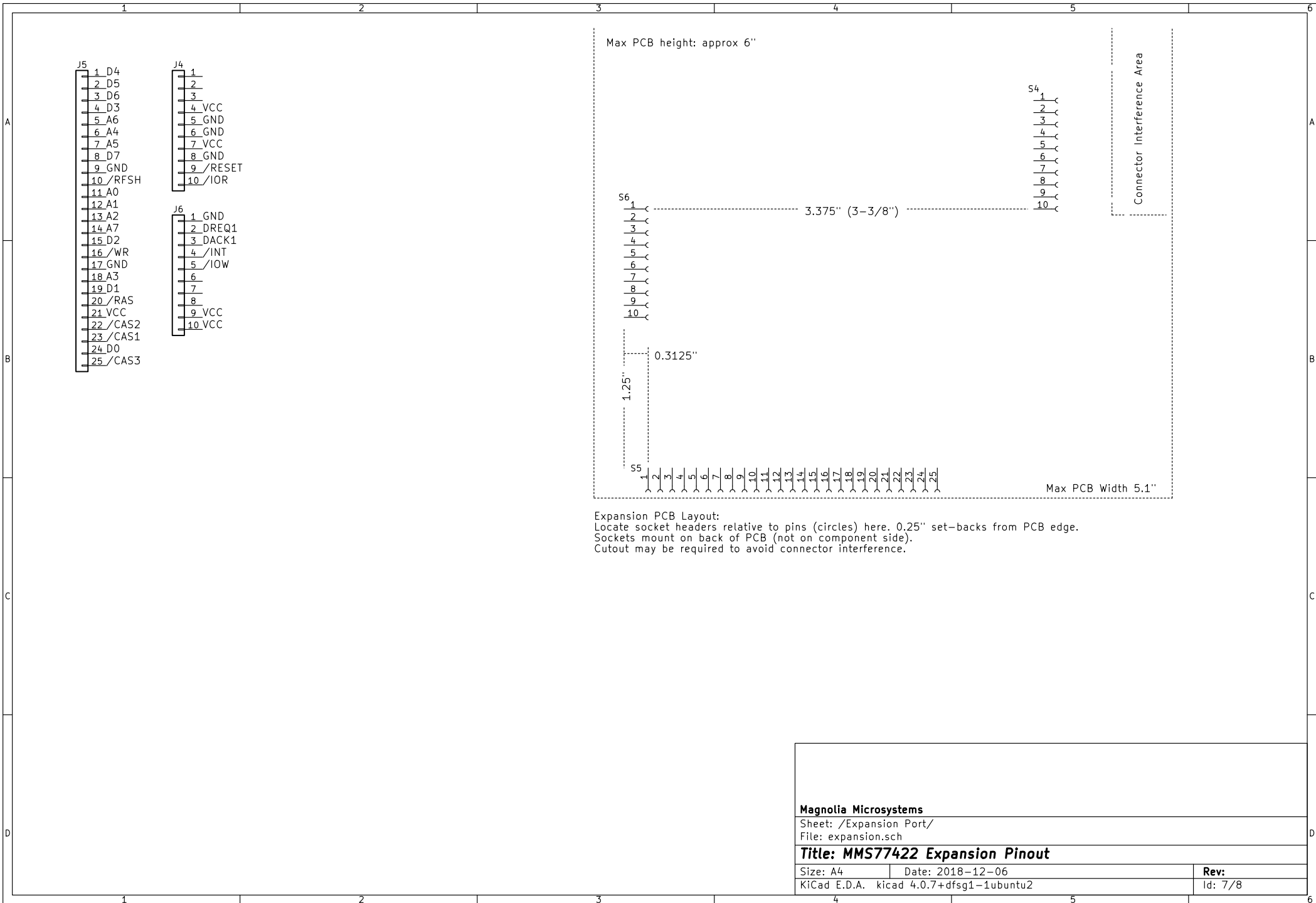
JP2 jumpered = Printer Server (no host interface)
 N0-N5 = binary node ID, jumpered = "1"



Network Clock Configuration
 Only valid if configured as shown (*)

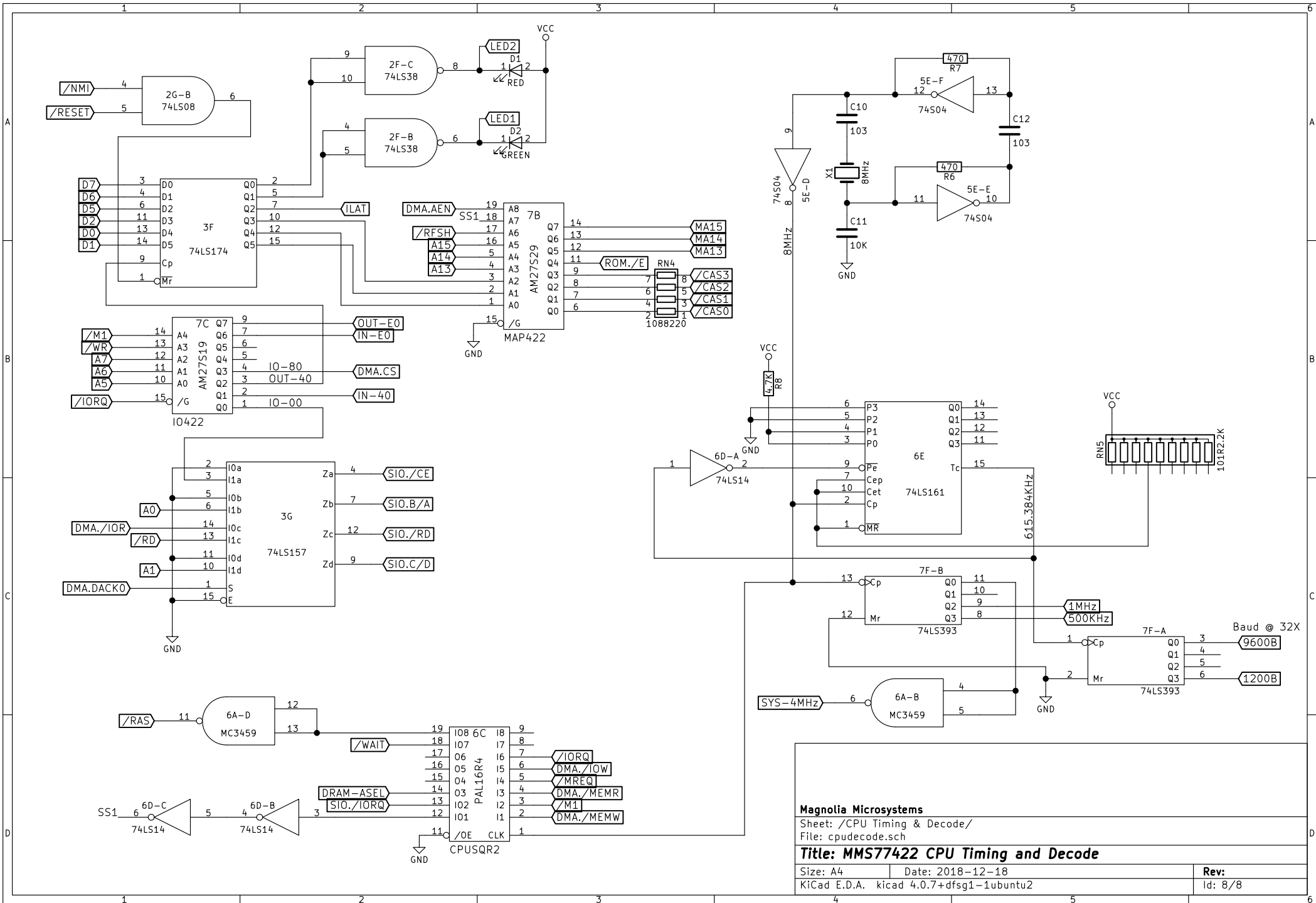
RS-232 Baud Select
 JP6-A = 9600 baud
 JP6-B = 1200 baud

Magnolia Microsystems	
Sheet: /Configuration/ File: config.sch	
Title: MMS77422 Node Configuration	
Size: A4	Date: 2018-12-18
KiCad E.D.A. kicad 4.0.7+dfsg1-1ubuntu2	Rev: Id: 6/8



Expansion PCB Layout:
 Locate socket headers relative to pins (circles) here. 0.25" set-backs from PCB edge.
 Sockets mount on back of PCB (not on component side).
 Cutout may be required to avoid connector interference.

Magnolia Microsystems	
Sheet: /Expansion Port/ File: expansion.sch	
Title: MMS77422 Expansion Pinout	
Size: A4	Date: 2018-12-06
KiCad E.D.A. kicad 4.0.7+dfsg1-1ubuntu2	Rev: 7/8



Magnolia Microsystems	
Sheet: /CPU Timing & Decode/	
File: cpudecode.sch	
Title: MMS77422 CPU Timing and Decode	
Size: A4	Date: 2018-12-18
KiCad E.D.A. kicad 4.0.7+dfsg1-1ubuntu2	
Rev: 8/8	