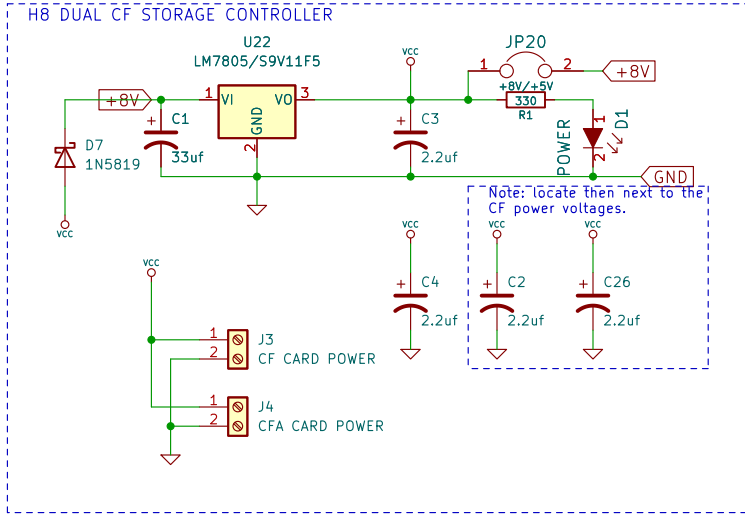
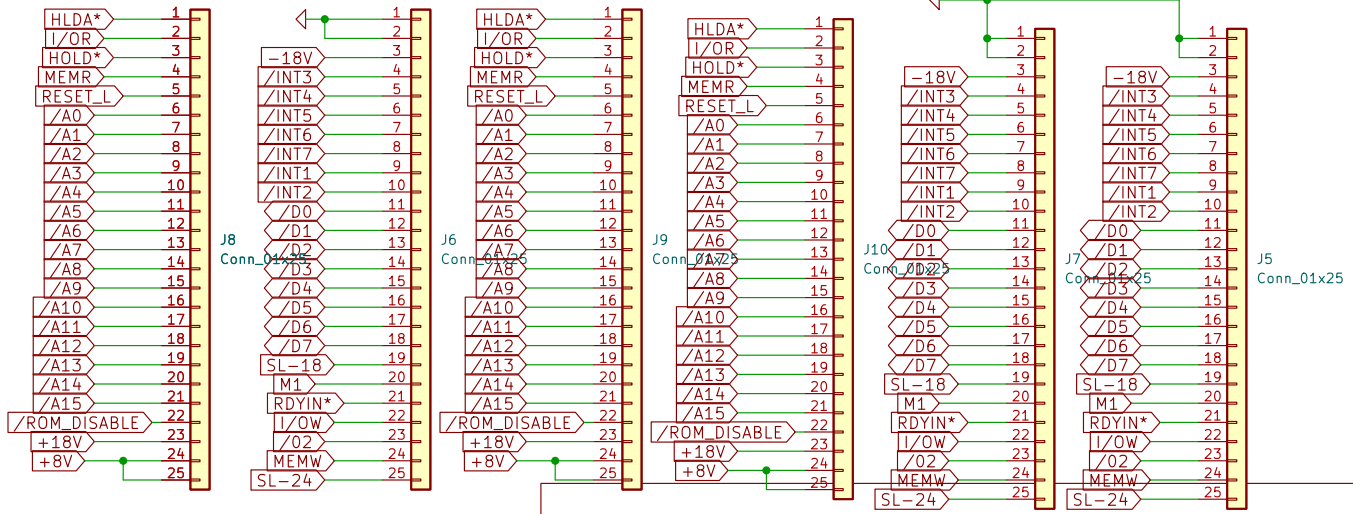


H8
H8-P1-P2-BUSS



H8-DUAL-CF-STORAGE

File: H8-DUAL-CF-STORAGE_Schematic.kicad_sch



Copyright Norberto Collado © 2022

KOYADO.COM

Sheet: /

File: H8-DUAL-CF-STORAGE.kicad_sch

Title: H8-DUAL-CF-STORAGE

Size: A Date: 28 jul 2022

KiCad E.D.A. kicad (6.0.9)

Rev: 1.0

Id: 1/2

