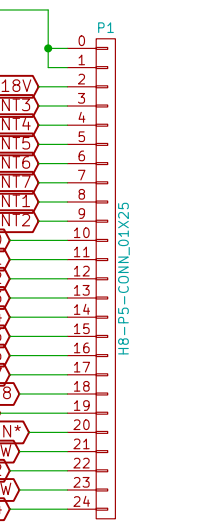
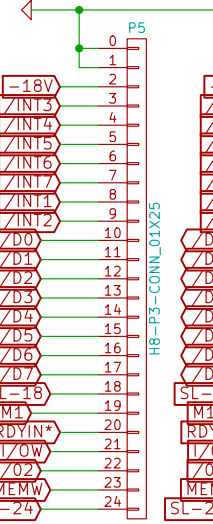
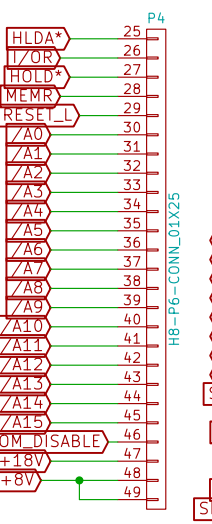
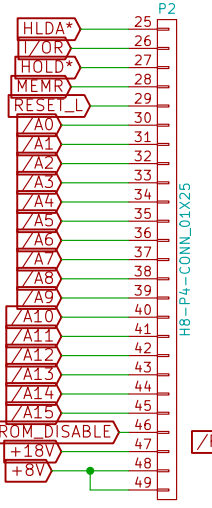
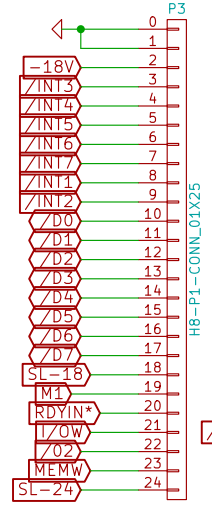
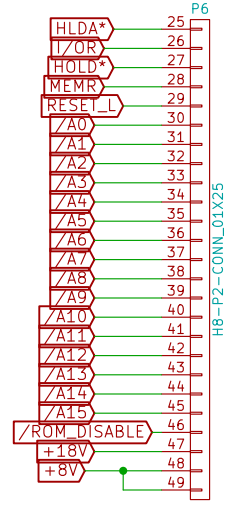
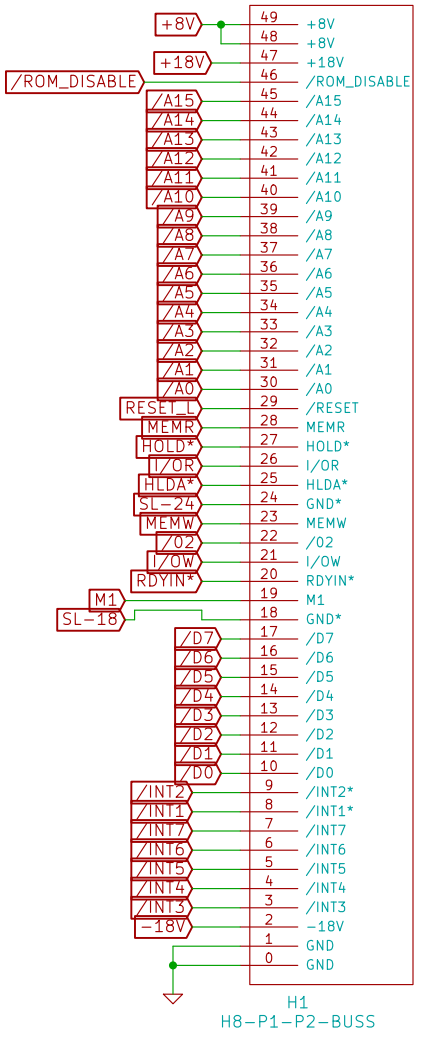
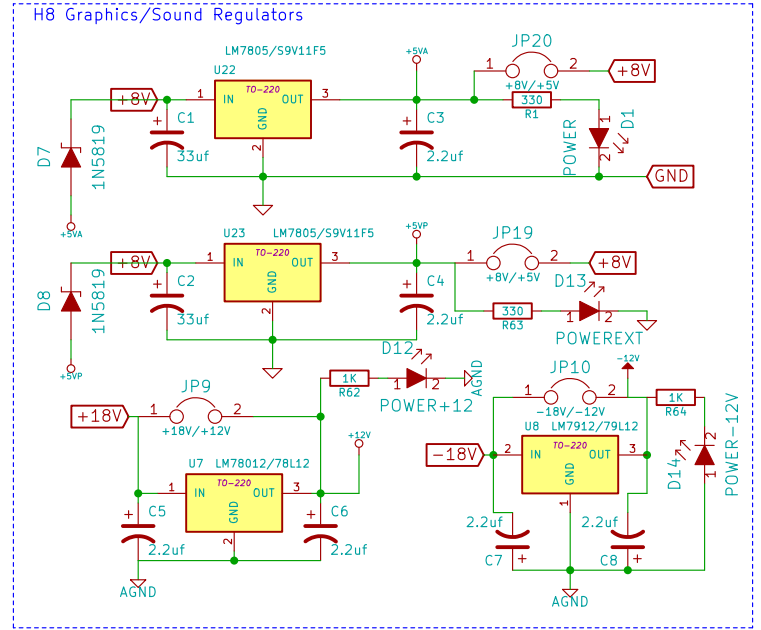
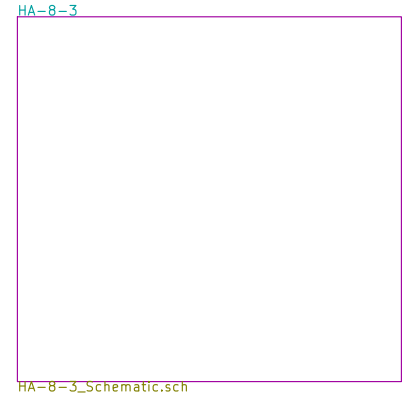
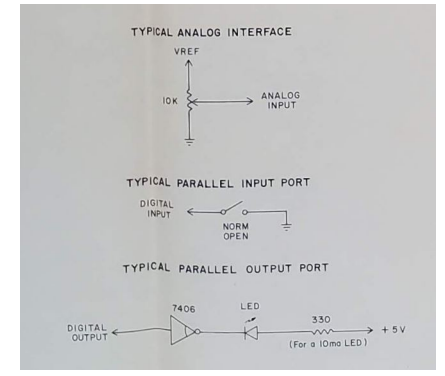
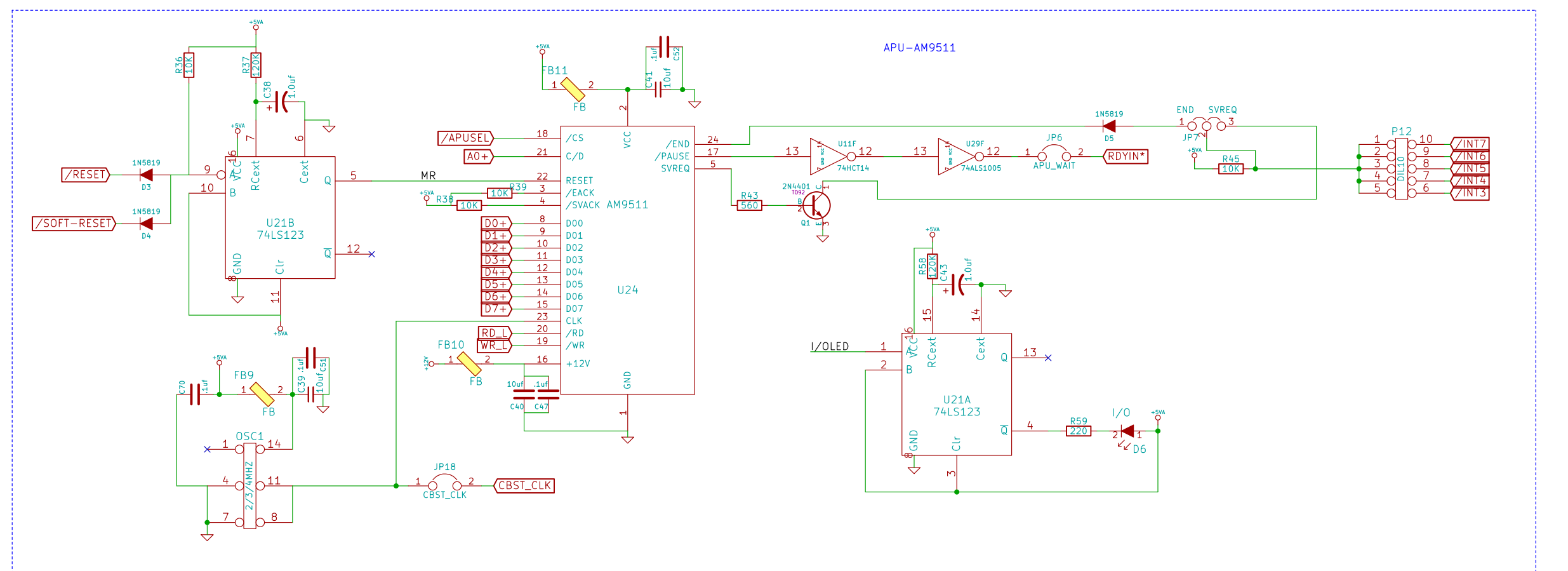
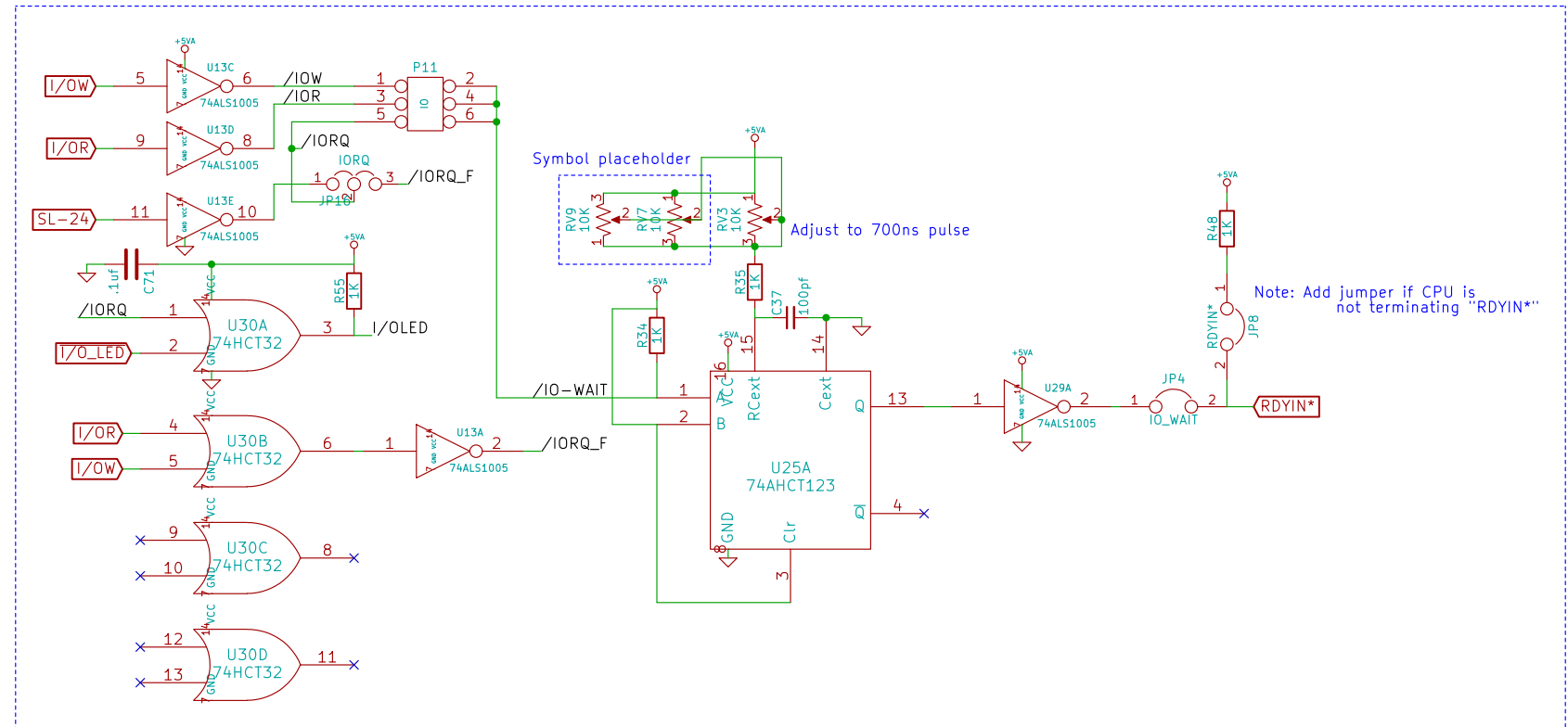
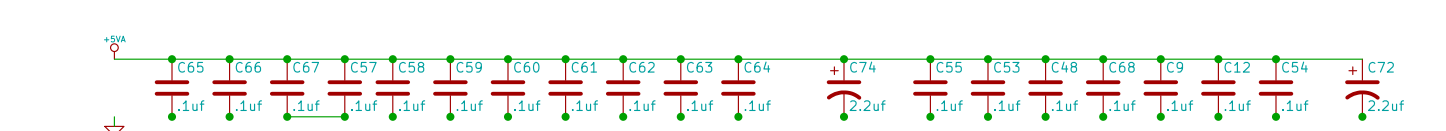
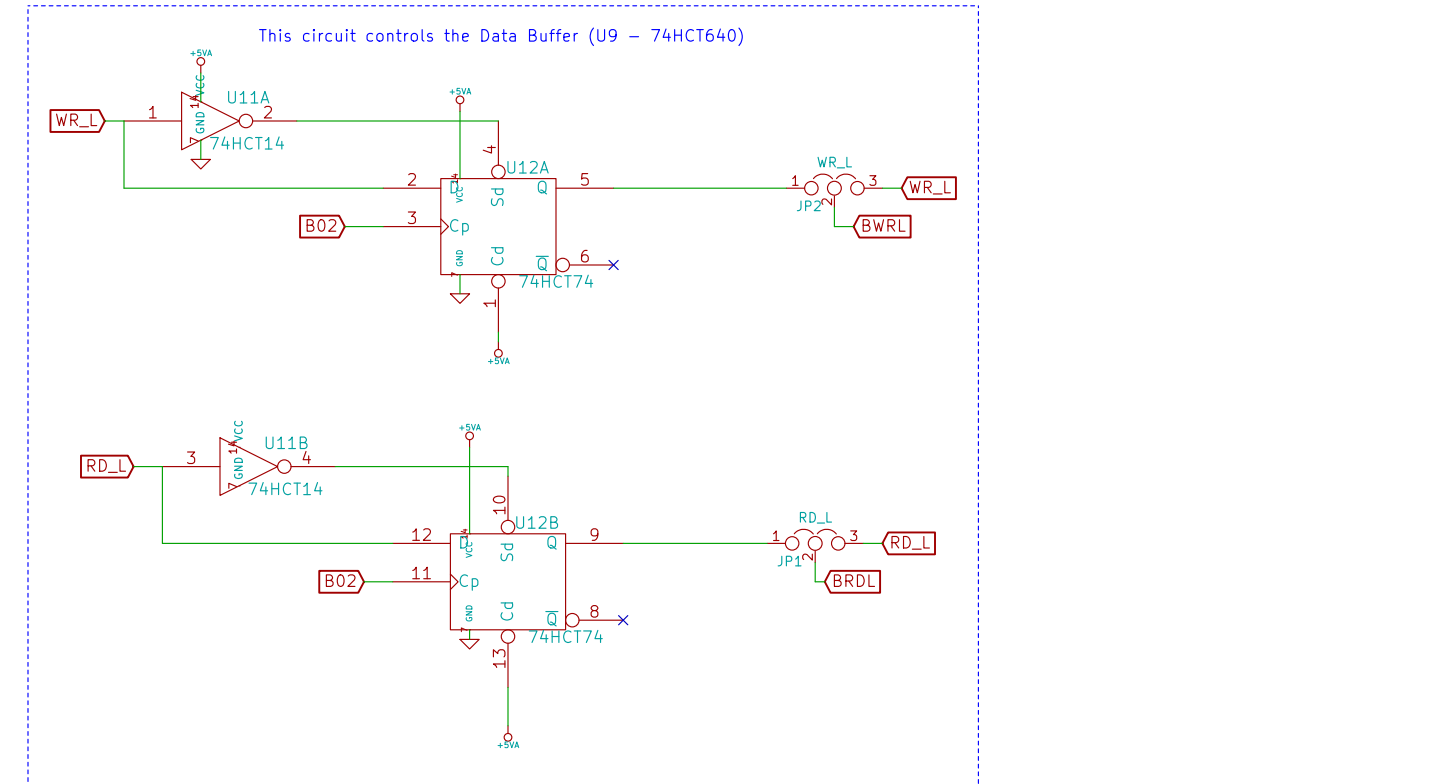
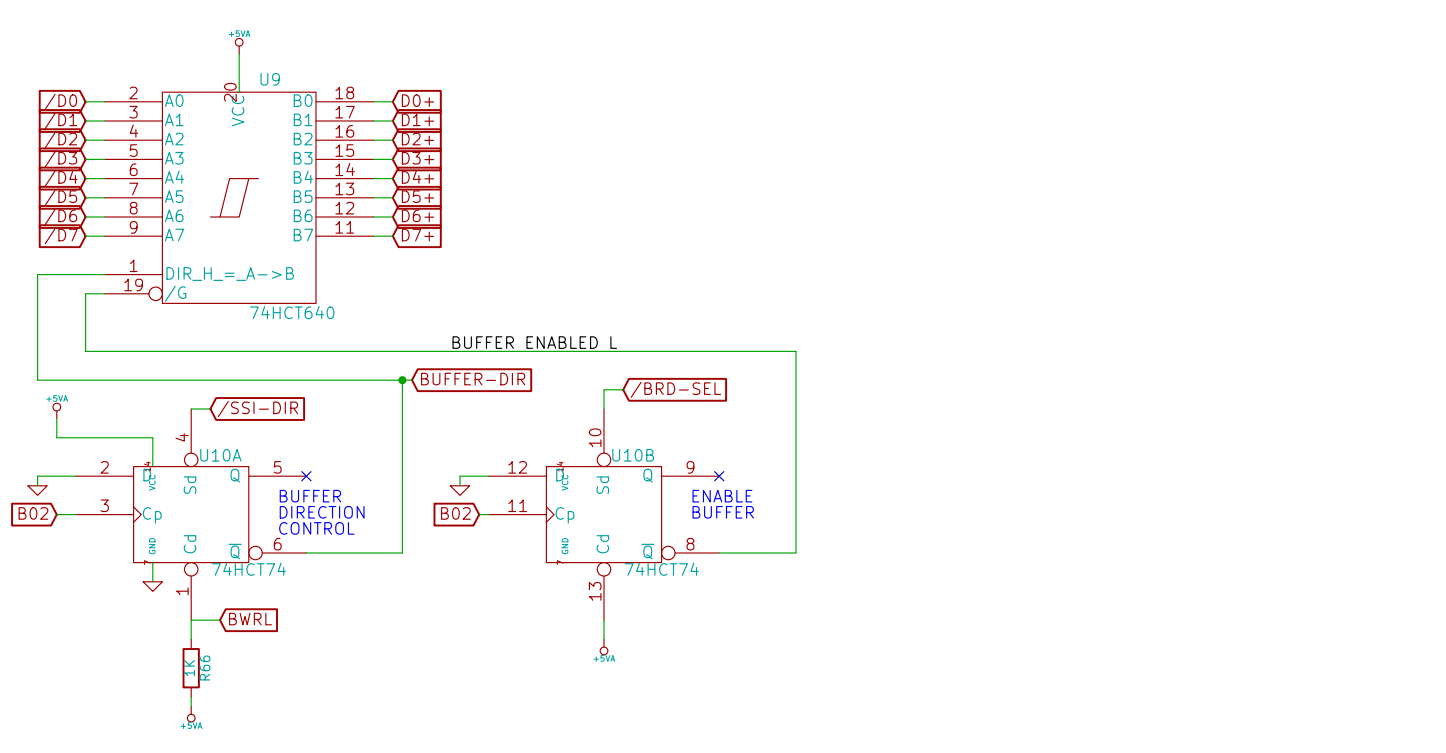
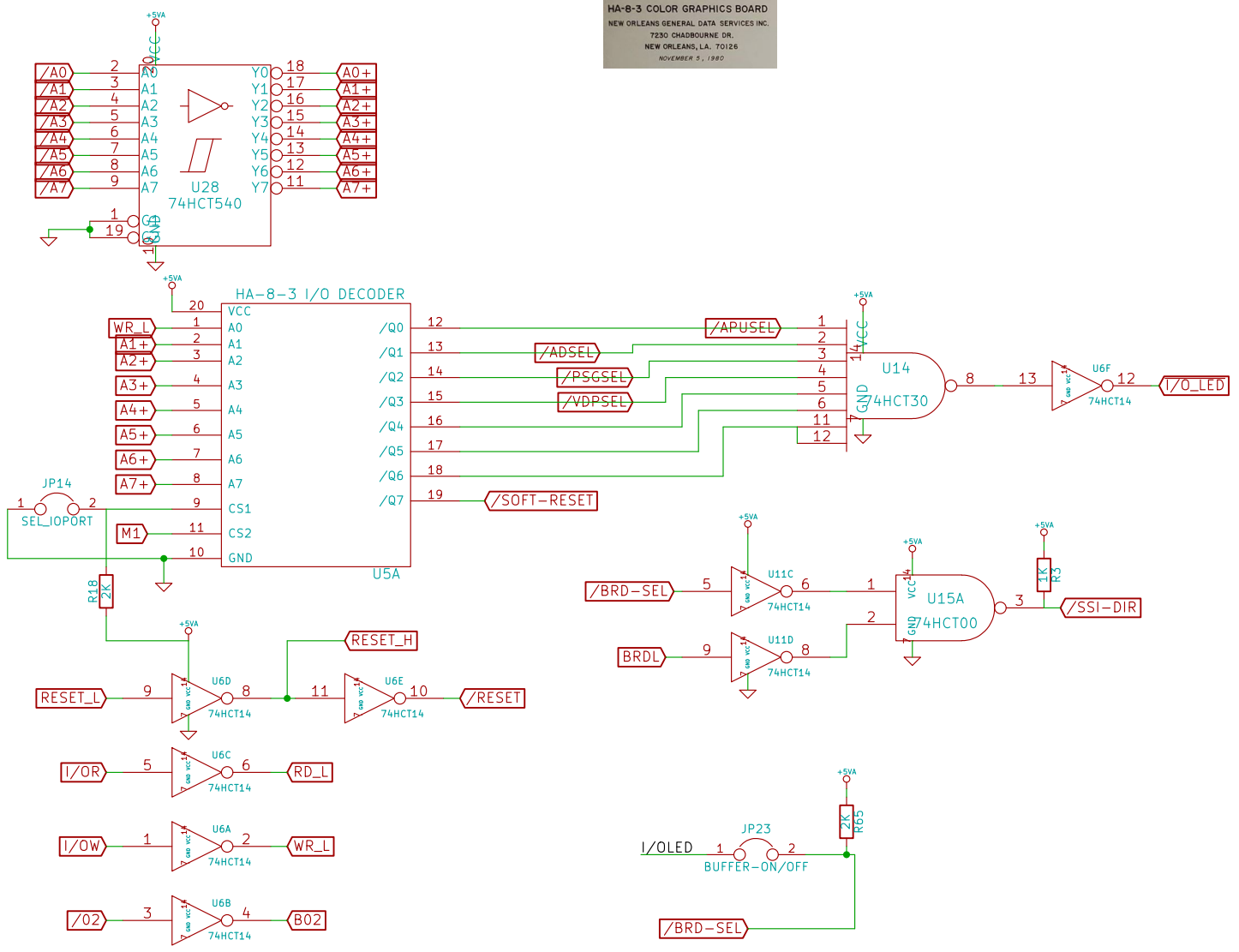
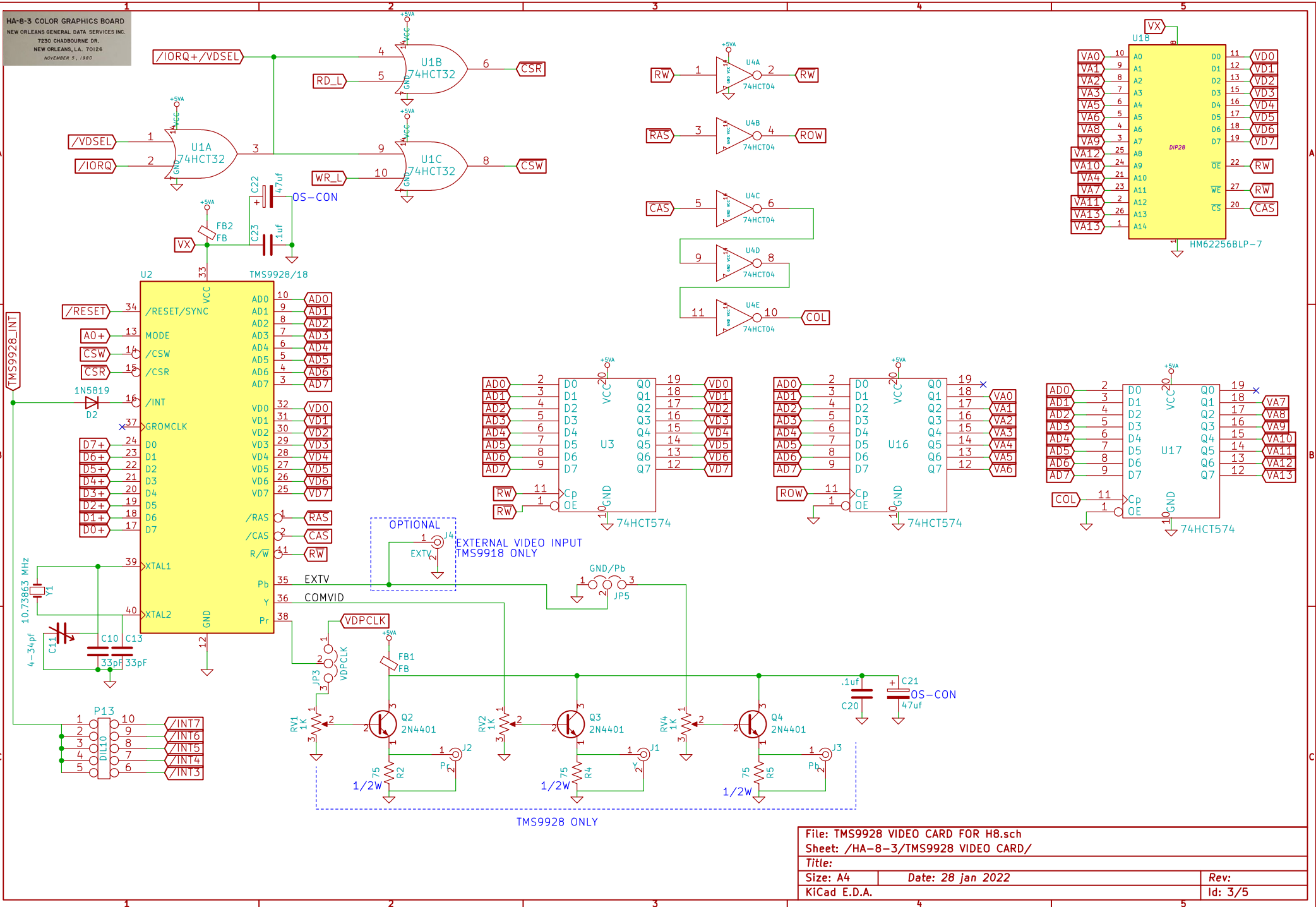


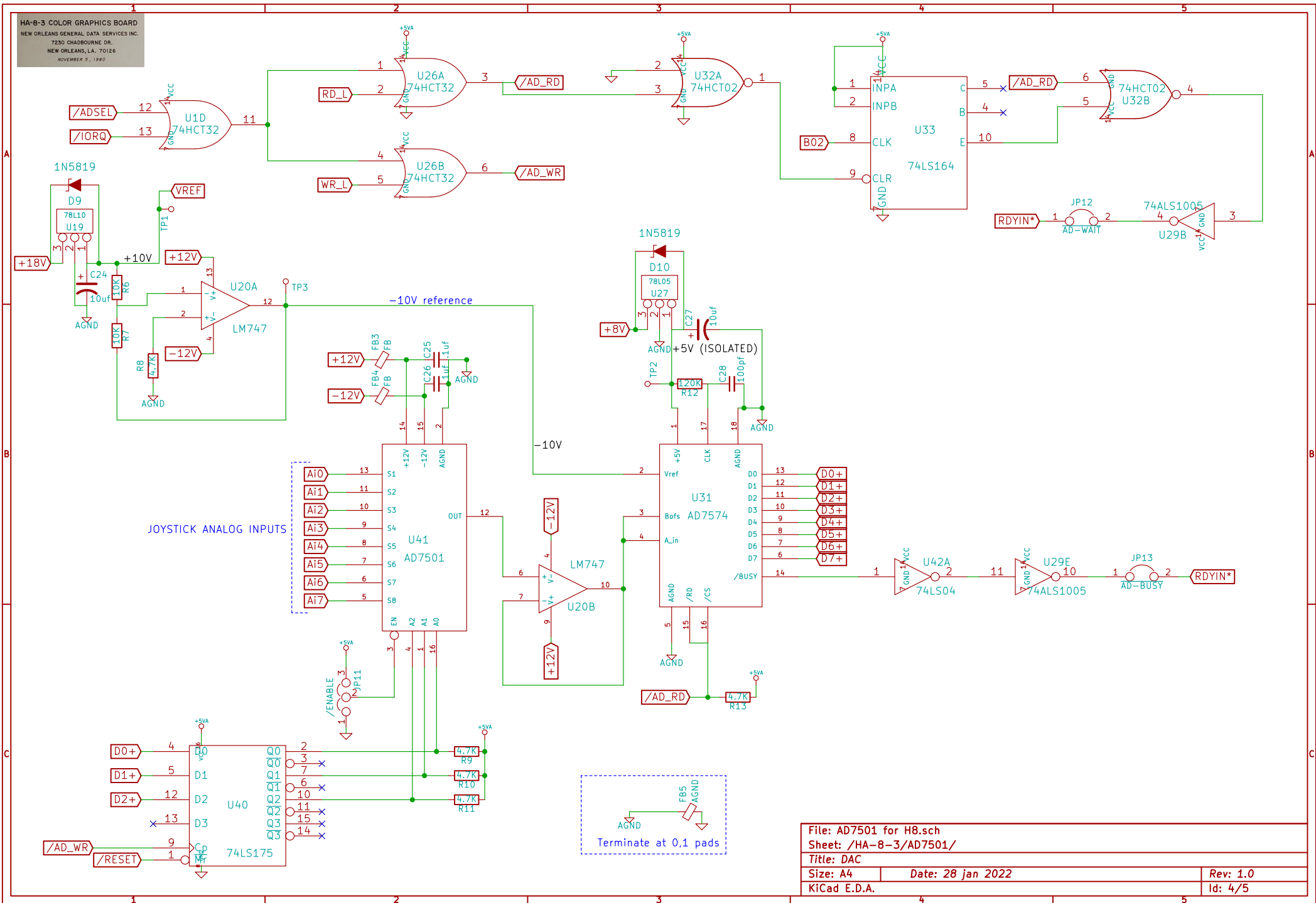
HA-8-3 COLOR GRAPHICS BOARD  
 NEW ORLEANS GENERAL DATA SERVICES INC.  
 7230 CHADBOURNE DR.  
 NEW ORLEANS, LA. 70126  
 NOVEMBER 5, 1980







HA-8-3 COLOR GRAPHICS BOARD  
 NEW ORLEANS GENERAL DATA SERVICES INC.  
 7230 CHADBOURNE DR.  
 NEW ORLEANS, LA. 70126  
 NOVEMBER 5, 1980

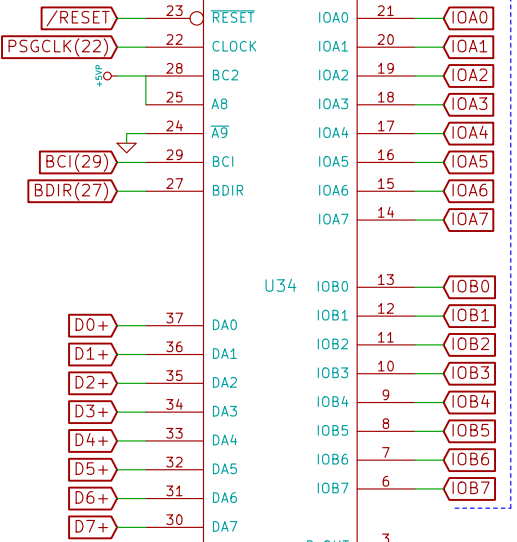


AGND  
 FB5  
 AGND  
 Terminate at 0.1 pads

File: AD7501 for H8.sch  
 Sheet: /HA-8-3/AD7501/  
 Title: DAC  
 Size: A4 Date: 28 jan 2022 Rev: 1.0  
 KiCad E.D.A. Id: 4/5

AY-3-8910

DETAIL OF JOYSTICK CONNECTIONS



JOYSTICK DIGITAL INPUTS/OUTPUTS

