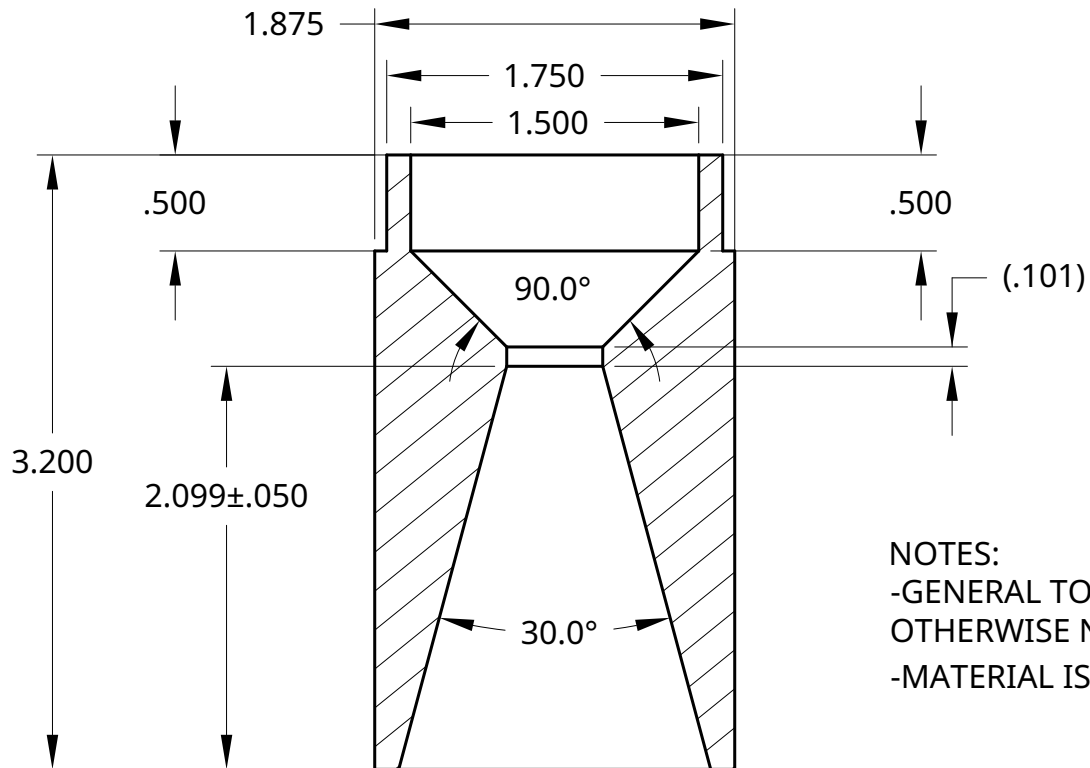


SCALE 1:1



SECTION A - A
SCALE 1:1

- NOTES:
- GENERAL TOLARANCE OF $\pm .010$ UNLESS OTHERWISE NOTED
 - MATERIAL IS 12014 STEEL $1-\frac{7}{8}$ RD OR EQUIVALENT