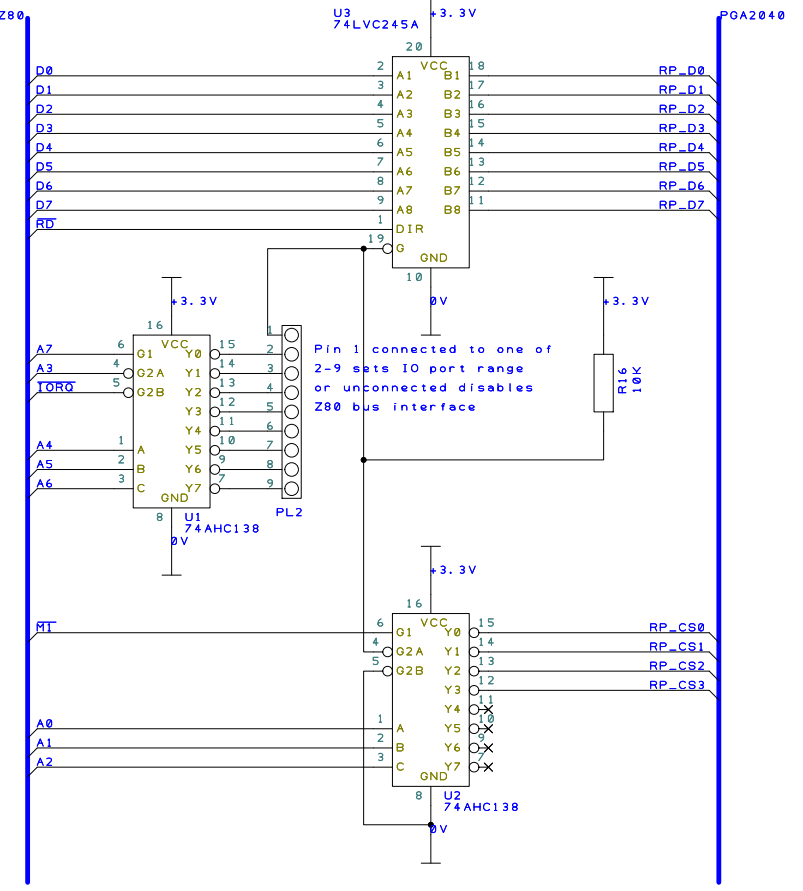


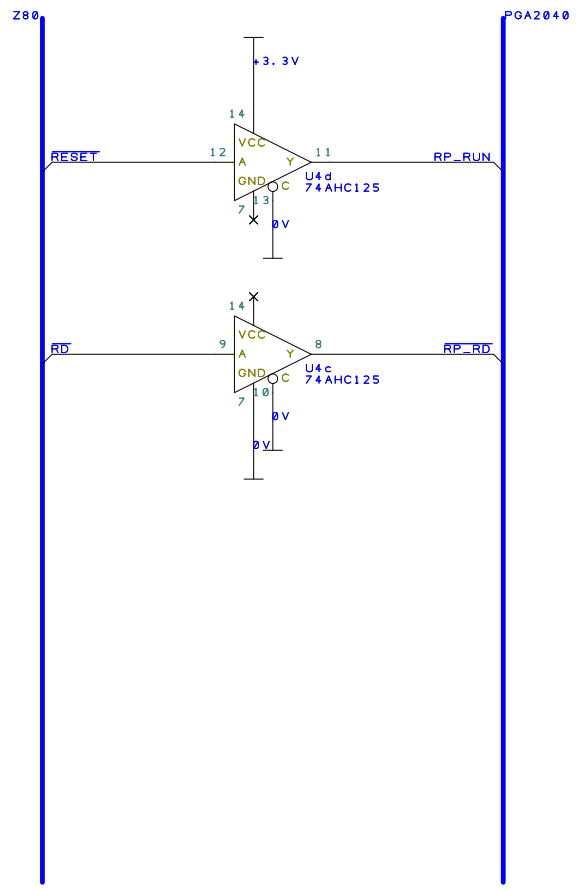
RC2014 Bus Header

U1 lacks /MI as input. No matter because /RD is high during interrupt acknowledgement so U3 outputs, needlessly, but in the harmless direction.

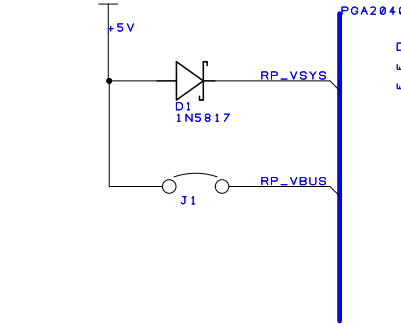
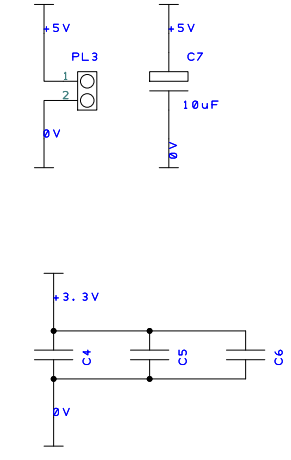
U2 has /MI as input so /RP\_CSn are only asserted appropriately.



Address Decoding and Data Bus Transceiver

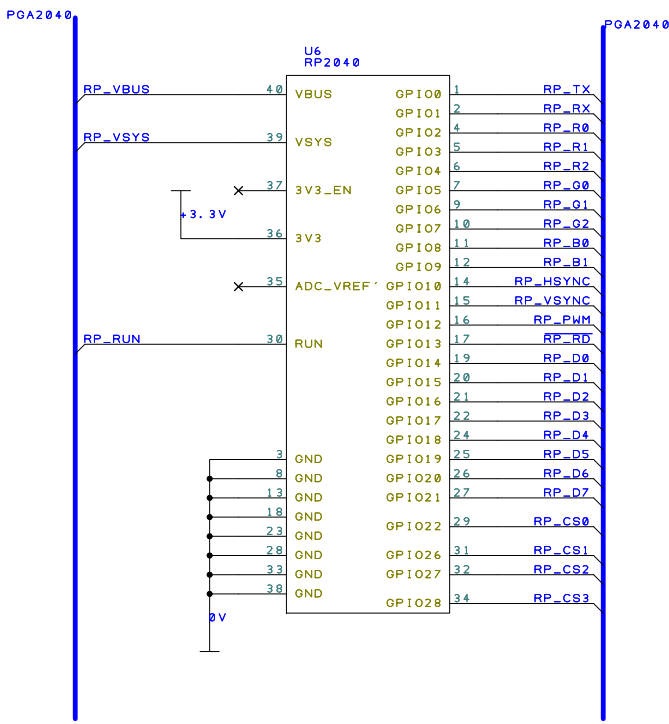
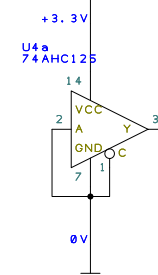


Level Shifting

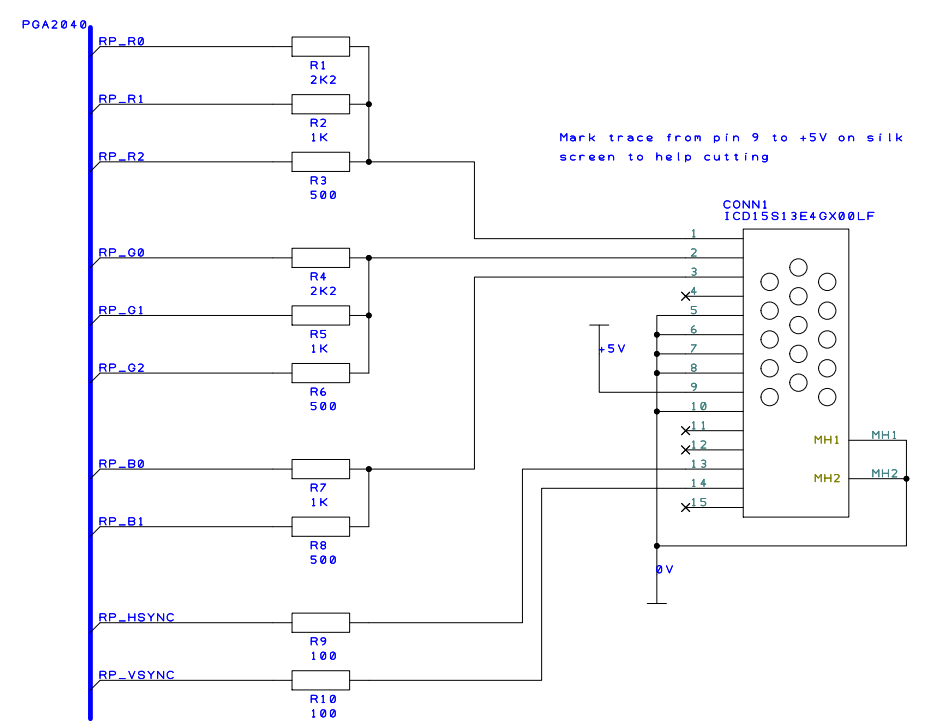


Power

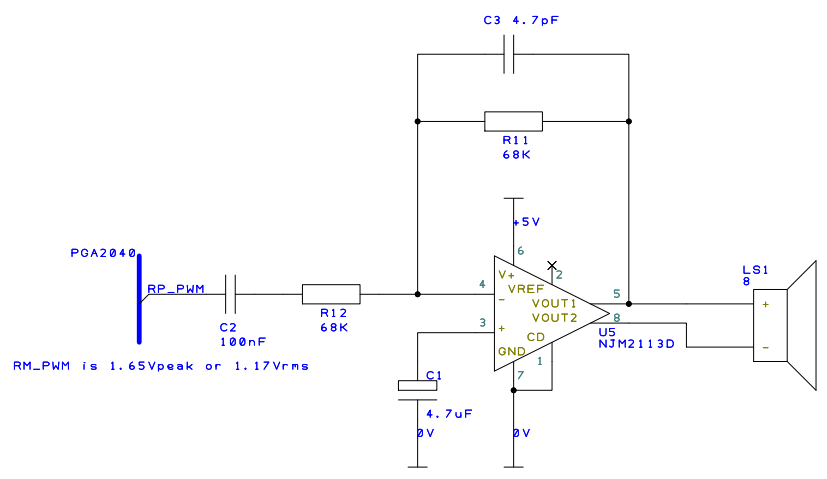
D1 allows safe RP2040 firmware update while installed in unpowered RC2014 backplane without USB powering whole computer.



Microcontroller Board

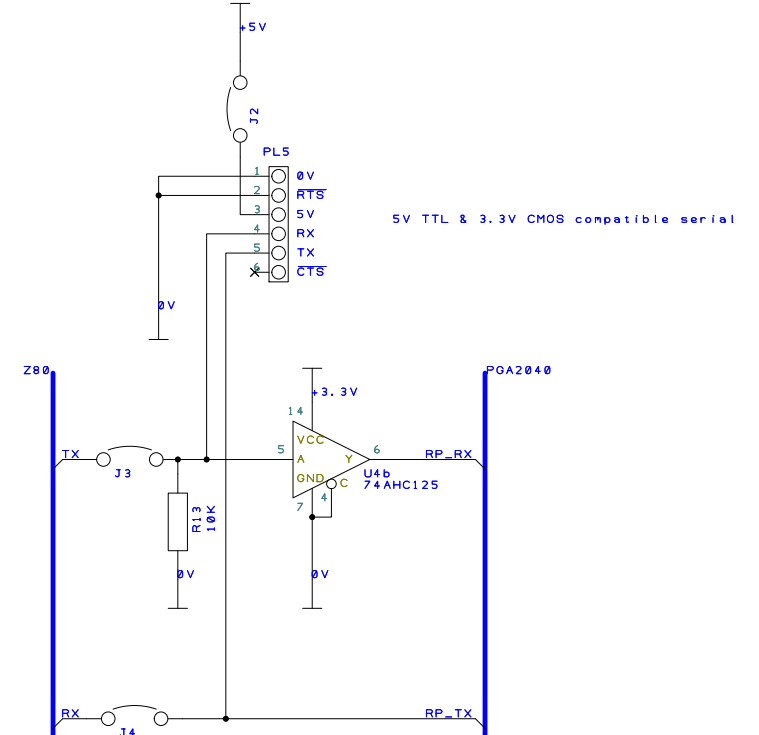


Video Output



Inverting amplifier & 1-pole low pass filter. Maximum gain of 100% drives 8 ohm speaker at approx 200mW. Low pass filter drops gain to about 96% at 20kHz. NJM2113 differential outputs avoid output decoupling capacitor.

Audio Output



5V TTL & 3.3V CMOS compatible serial

Serial