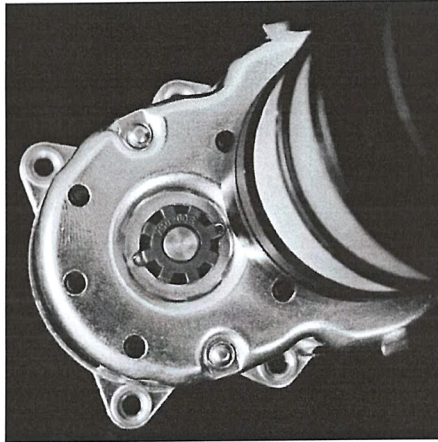


Gearboxes

Type 330

Hybrid

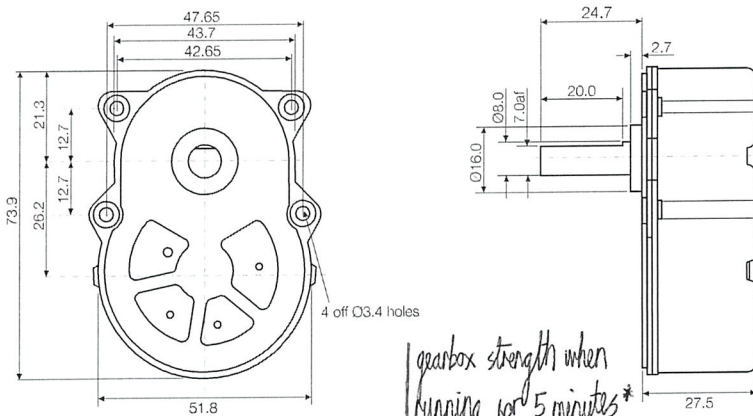
Issue 04:CN2803



Rotalink

Miniature Motors, Transmission and Control

Units: mm

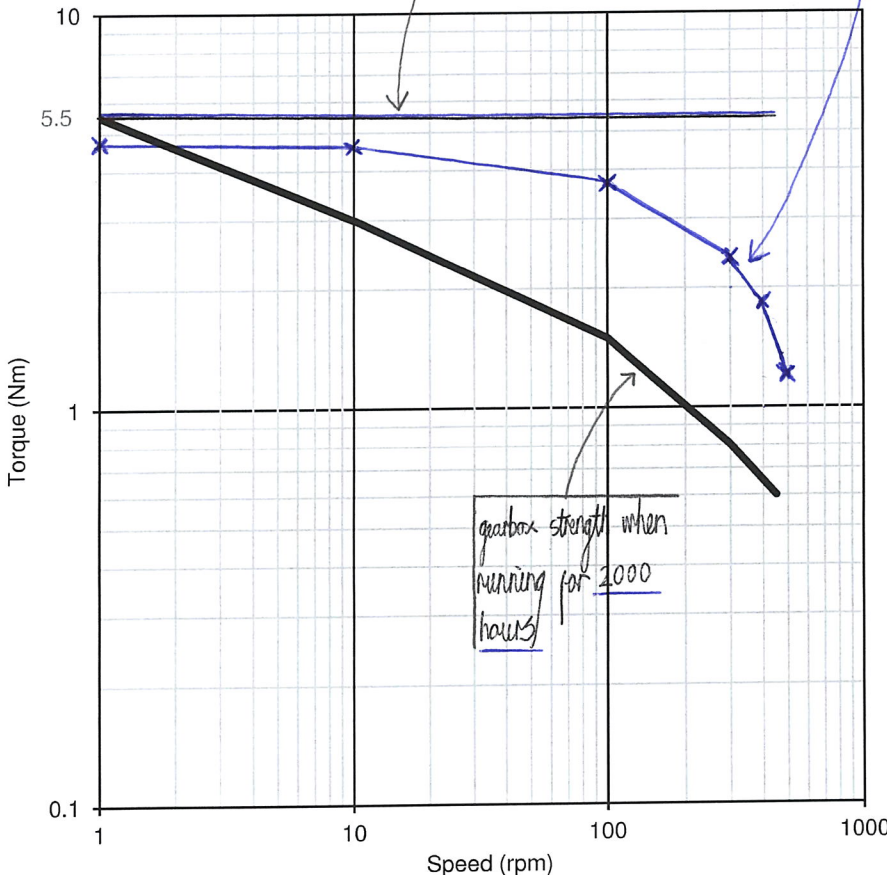


Typical Ratios

| | |
|-----------------|-------------------|
| 16:1 (375:23) | 255:1 (3325:13) |
| 23:1 (275:12) | 320:1 (16625:52) |
| 29:1 | 394:1 (83125:208) |
| 40:1 (1925:48) | 639:1 (16625:26) |
| 51:1 (203:4) | 767:1 (9975:13) |
| 77:1 (323:3) | 1023:1 (13300:13) |
| 128:1 (3325:26) | 4092:1 (53200:13) |
| 205:1 (2660:13) | |

performance of D3857-3250 with 16:1 ratio

Characteristics



General Specification

Zinc plated pressed steel gearbox case and front cover with 4 point fixing. Spur gears running on fixed steel spindles leading to a planetary output stage. Ultra polymer gears, stainless steel shaft, ball race front and back bearing.

Maximum temperature, 80°C at the gearcase.

Gearbox Options

- Special shafts
- Threaded eyelets - Min bulkhead thickness for countersunk screws, M3-2mm, M4-2.5mm
- Other non-standard ratios

Contact:

www.rotalink.com
 info@rotalink.com
 T: +44 (0)1460 72000
 F: +44 (0)1460 74278

Rotalink Limited
 Cropmead, Crewkerne
 Somerset TA18 7HQ, UK

www.rotalink.com

This drawing and any information, descriptions and know how contained hereon (altogether "the drawing") are confidential and are the sole property of Rotalink Limited. Rotalink Limited owns all copyright, design right and all other intellectual property in the drawing and neither the drawing nor any part of it may be disclosed, loaned, copied, used for manufacturing or in relation to tenders or used for any other purpose without the express written permission of Rotalink Limited.

**no time for heat to build up in gears*