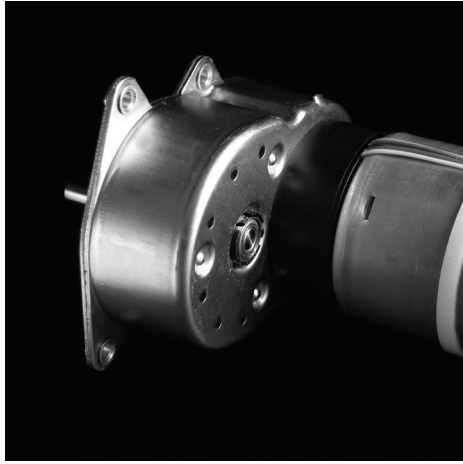


# Gearboxes

Type 360  
Hybrid

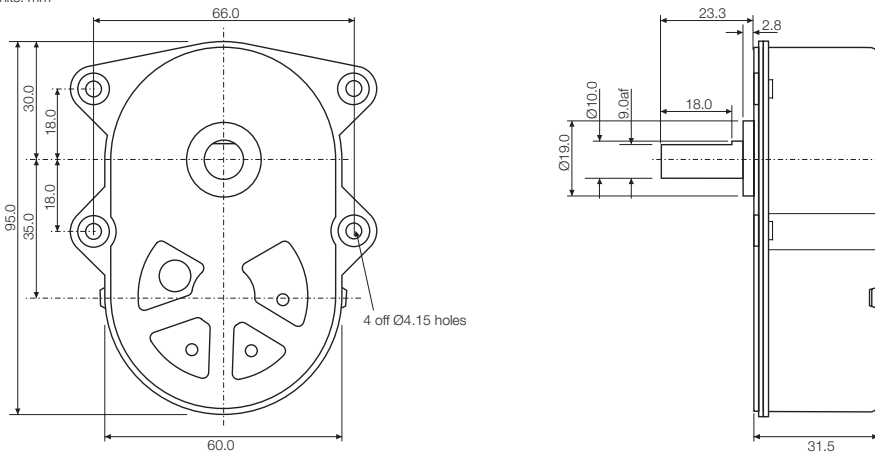
Issue 03:CN2803



# Rotalink

Miniature Motors, Transmission and Control

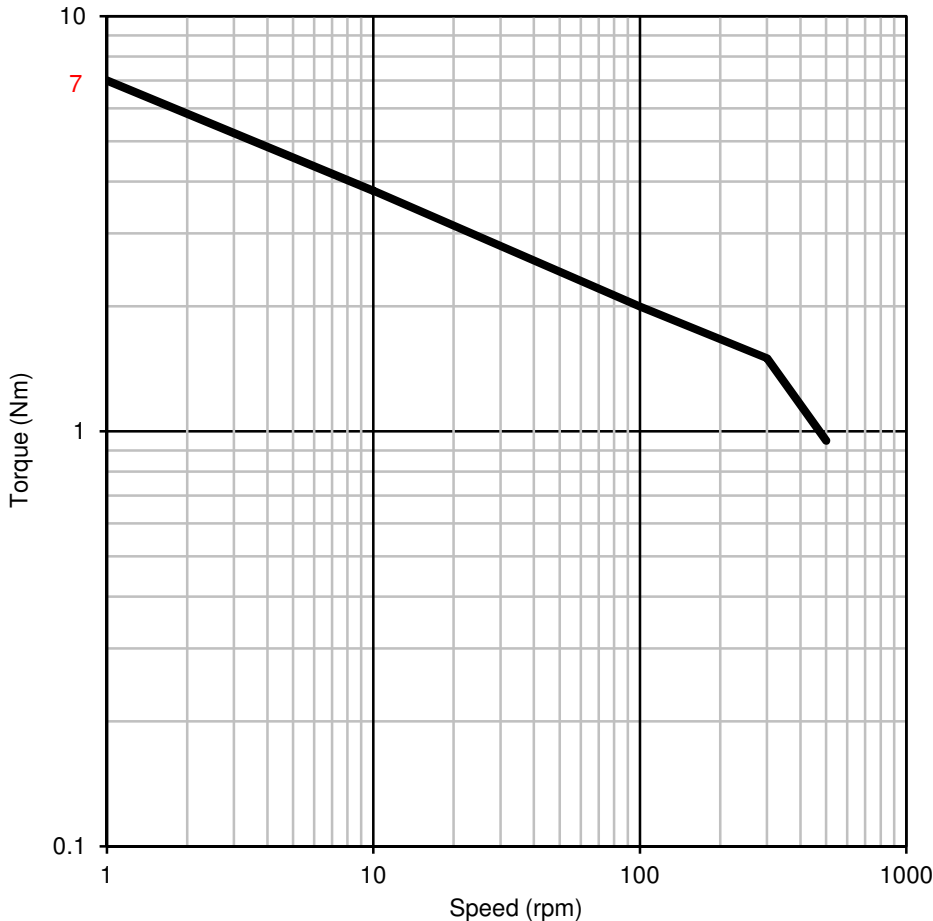
Units: mm



## Typical Ratios

33:1 (24725:728)	152:1 (359375:2366)
43:1 (54625:1274)	244:1 (215625:884)
57:1 (175375:3094)	457:1 (3234375:7072)
82:1 (1365625:16562)	610:1 (1078125:1768)
109:1 (4384375:40222)	1220:1 (1078125:884)

## Characteristics



## General Specification

Zinc plated pressed steel gearbox case and front cover with 4 point fixing. Spur gears running on fixed steel spindles leading to a planetary output stage. Ultra polymer gears, stainless steel shaft, ball race front and back bearing.

Maximum temperature, 80°C at the gearcase.

## Gearbox Options

Special shafts including keyway  
M4 threaded eyelets - Min bulkhead thickness for countersunk screws, 2.5mm  
Other non-standard ratios

## Contact:

[www.rotalink.com](http://www.rotalink.com)  
[info@rotalink.com](mailto:info@rotalink.com)  
T: +44 (0)1460 72000  
F: +44 (0)1460 74278

Rotalink Limited  
Cropmead, Crewkerne  
Somerset TA18 7HQ, UK

[www.rotalink.com](http://www.rotalink.com)