

jaroslaw.karwik@gmail.com

**Kartech**

Sheet: /Power\_supply/

File: Power\_supply.kicad\_sch

**Title: Uni printer**

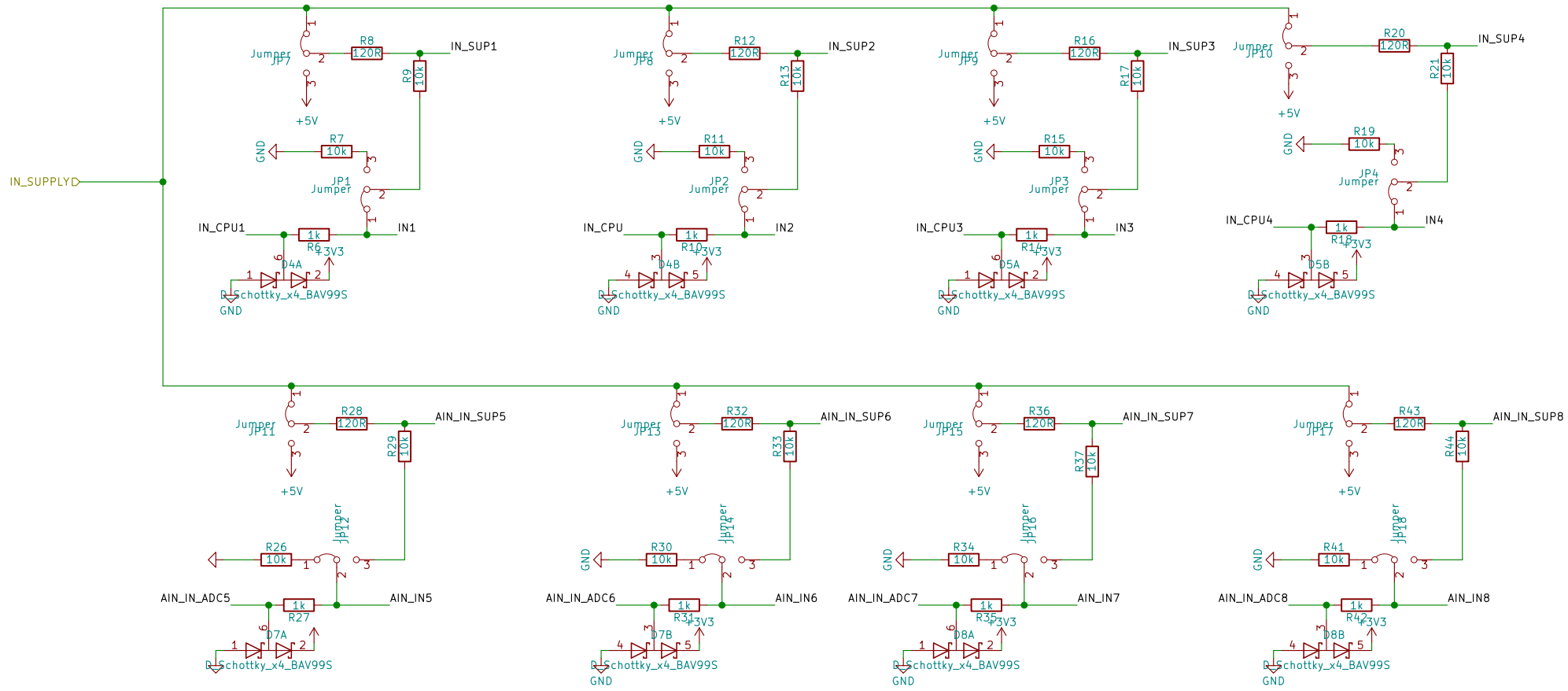
Size: A4 Date: 2020-04-30

KiCad E.D.A. kicad (5.99.0-8910-g624a231cc0)

**Rev: 2.0**

Id: 2/12

────┐ ────┐  
 ────┤ IN[1..4]    ────┤ AIN\_IN[5..8]  
 ────┤ IN\_CPU[1..4]    ────┤ AIN\_IN\_ADC[5..8]  
 ────┤ IN\_SUP[1..4]    ────┤ AIN\_IN\_SUP[5..8]



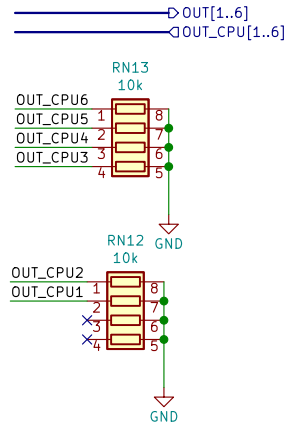
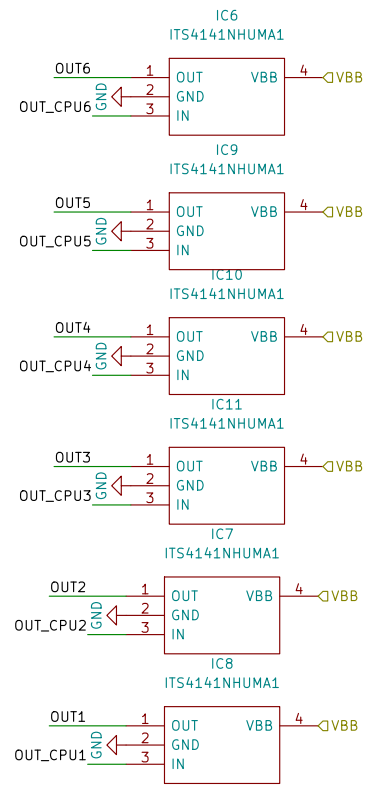
jaroslaw.karwik@gmail.com

**Kartech**

Sheet: /Digital Inputs/  
File: Digital\_In.kicad\_sch

**Title: Uni printer**

Size: A4	Date: 2020-04-30	<b>Rev: 2.0</b>
KiCad E.D.A. kicad (5.99.0-8910-g624a231cc0)		Id: 3/12



jaroslaw.karwik@gmail.com

**Kartech**

Sheet: /Outputs/

File: Outputs.kicad\_sch

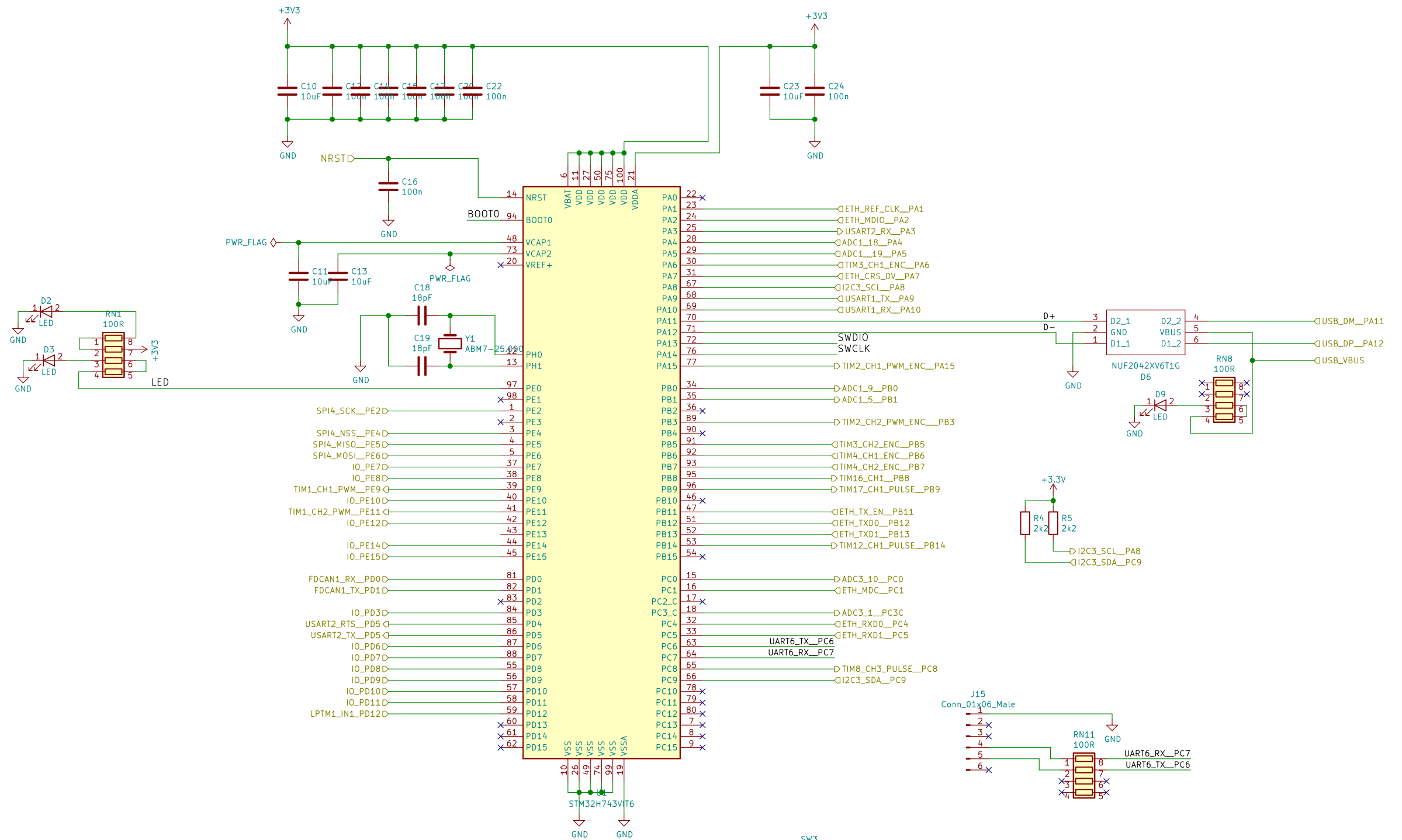
**Title: Uni printer**

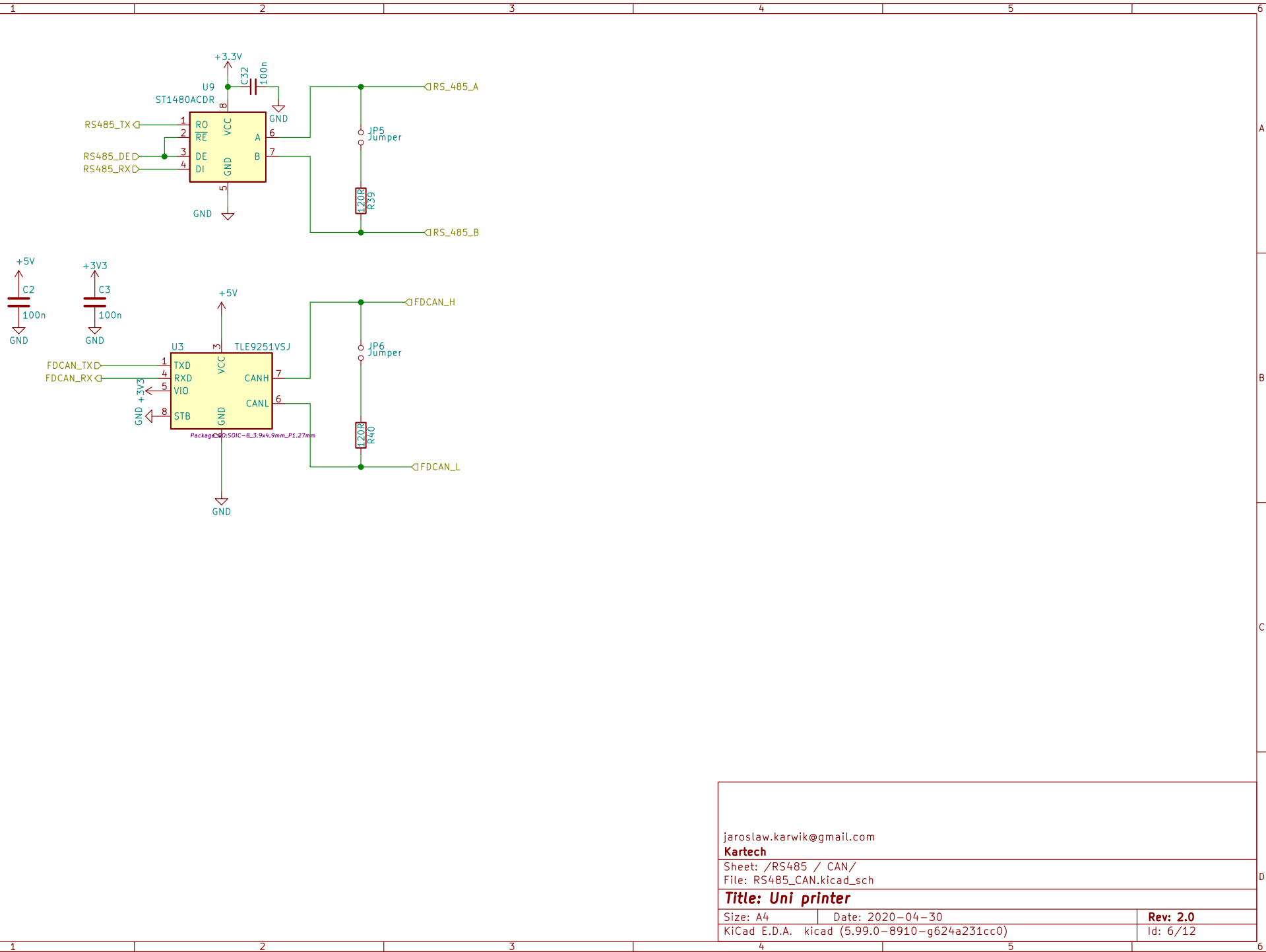
Size: A4 Date: 2020-04-30

KiCad E.D.A. kicad (5.99.0-8910-g624a231cc0)

**Rev: 2.0**

Id: 4/12





jaroslaw.karwik@gmail.com

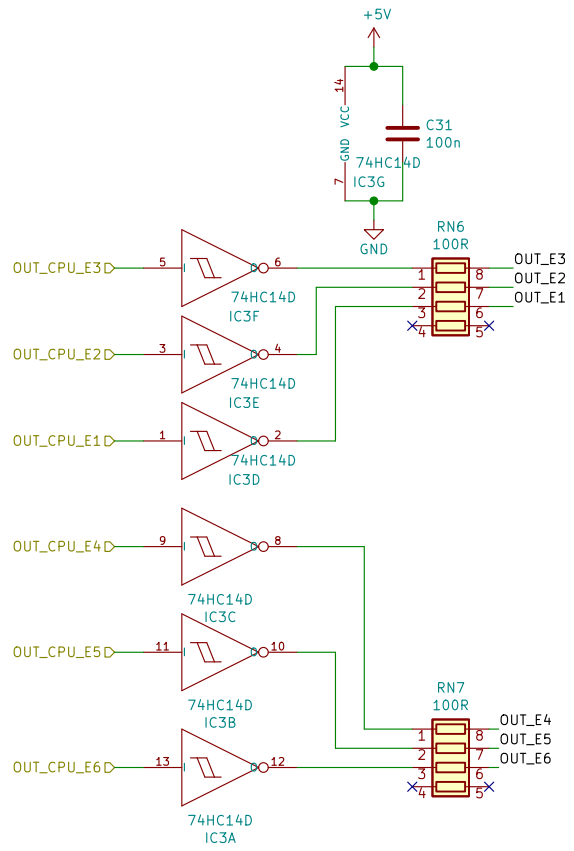
**Kartech**

Sheet: /RS485 / CAN/  
 File: RS485\_CAN.kicad\_sch

**Title: Uni printer**

Size: A4 | Date: 2020-04-30  
 KiCad E.D.A. kicad (5.99.0-8910-g624a231cc0)

**Rev: 2.0**  
 Id: 6/12



jaroslaw.karwik@gmail.com

**Kartech**

Sheet: /Analog / Digital IO/  
 File: Analog\_digital\_io.kicad\_sch

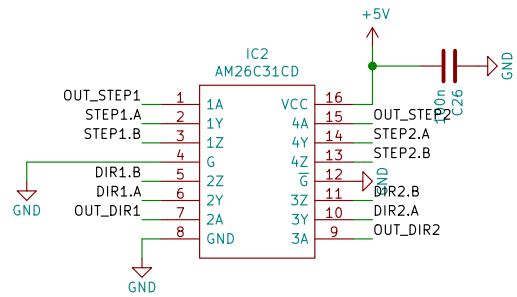
**Title: Uni printer**

Size: A4 Date: 2020-04-30

KiCad E.D.A. kicad (5.99.0-8910-g624a231cc0)

**Rev: 2.0**

Id: 7/12



jaroslaw.karwik@gmail.com

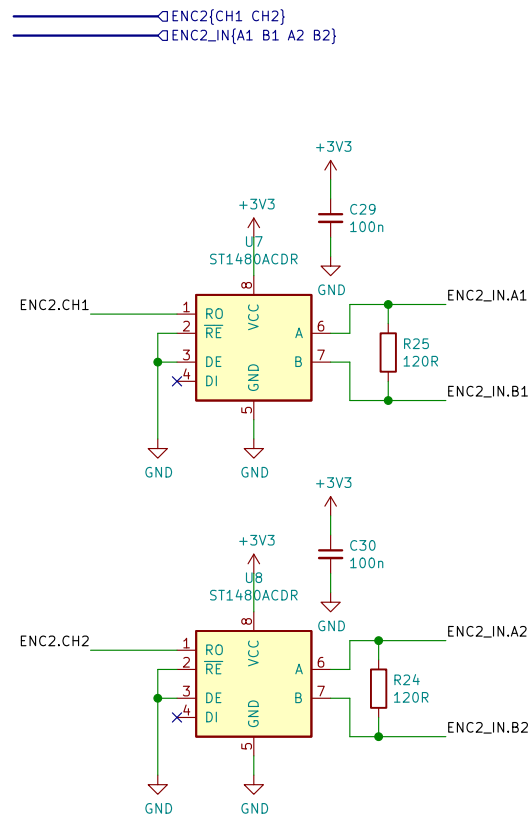
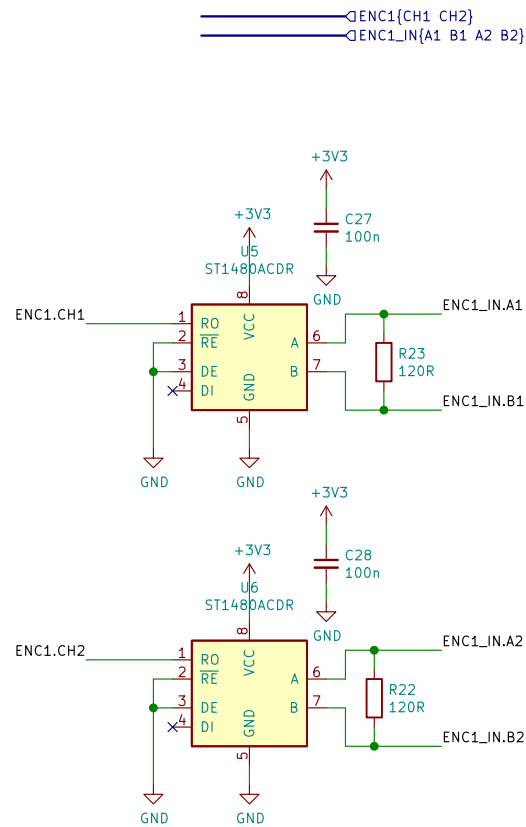
**Kartech**

Sheet: /Step Dir/  
File: Stepdir.kicad\_sch

**Title: Uni printer**

Size: A4	Date: 2020-04-30	Rev: 2.0
KiCad E.D.A. kicad (5.99.0-8910-g624a231cc0)		Id: 8/12





jaroslaw.karwik@gmail.com

**Kartech**

Sheet: /Encoder/

File: Encoder.kicad\_sch

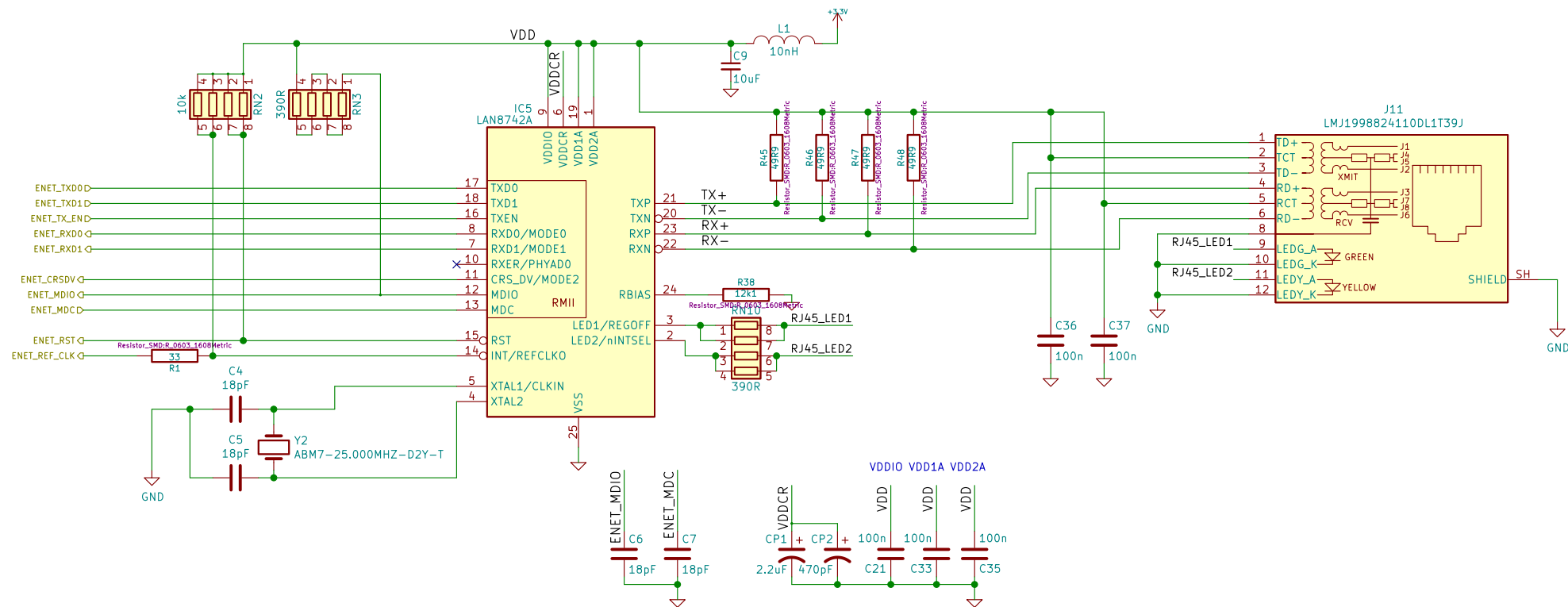
**Title: Uni printer**

Size: A4 Date: 2020-04-30

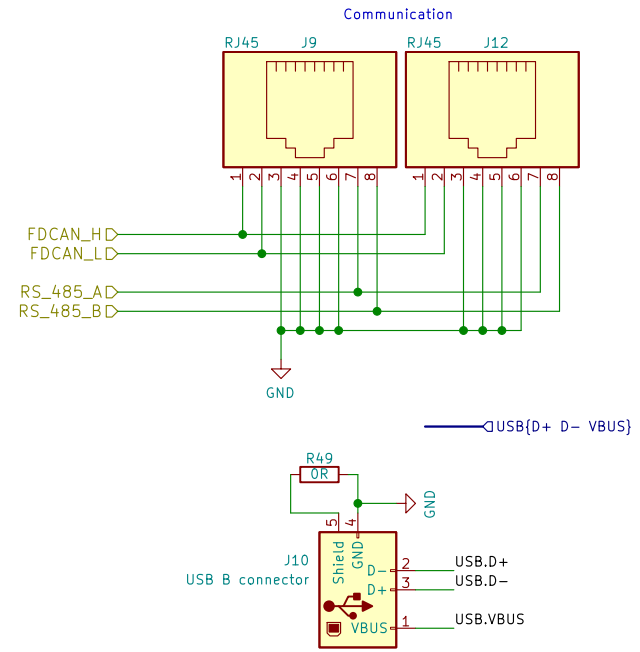
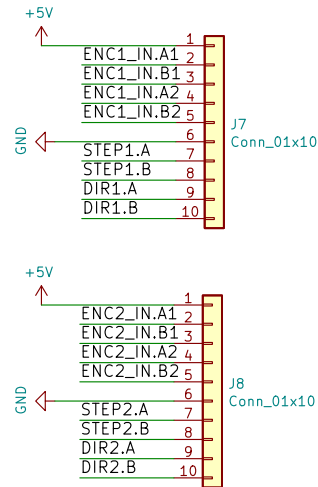
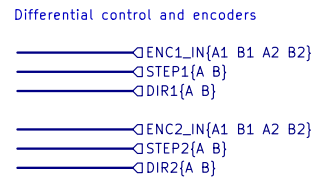
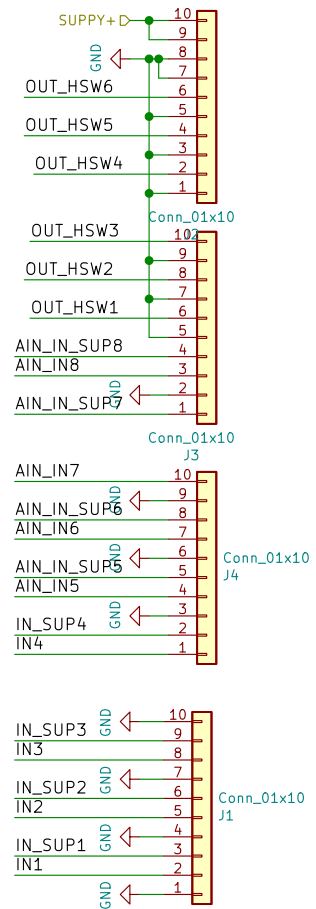
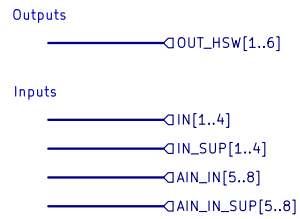
KiCad E.D.A. kicad (5.99.0-8910-g624a231cc0)

**Rev: 2.0**

Id: 9/12



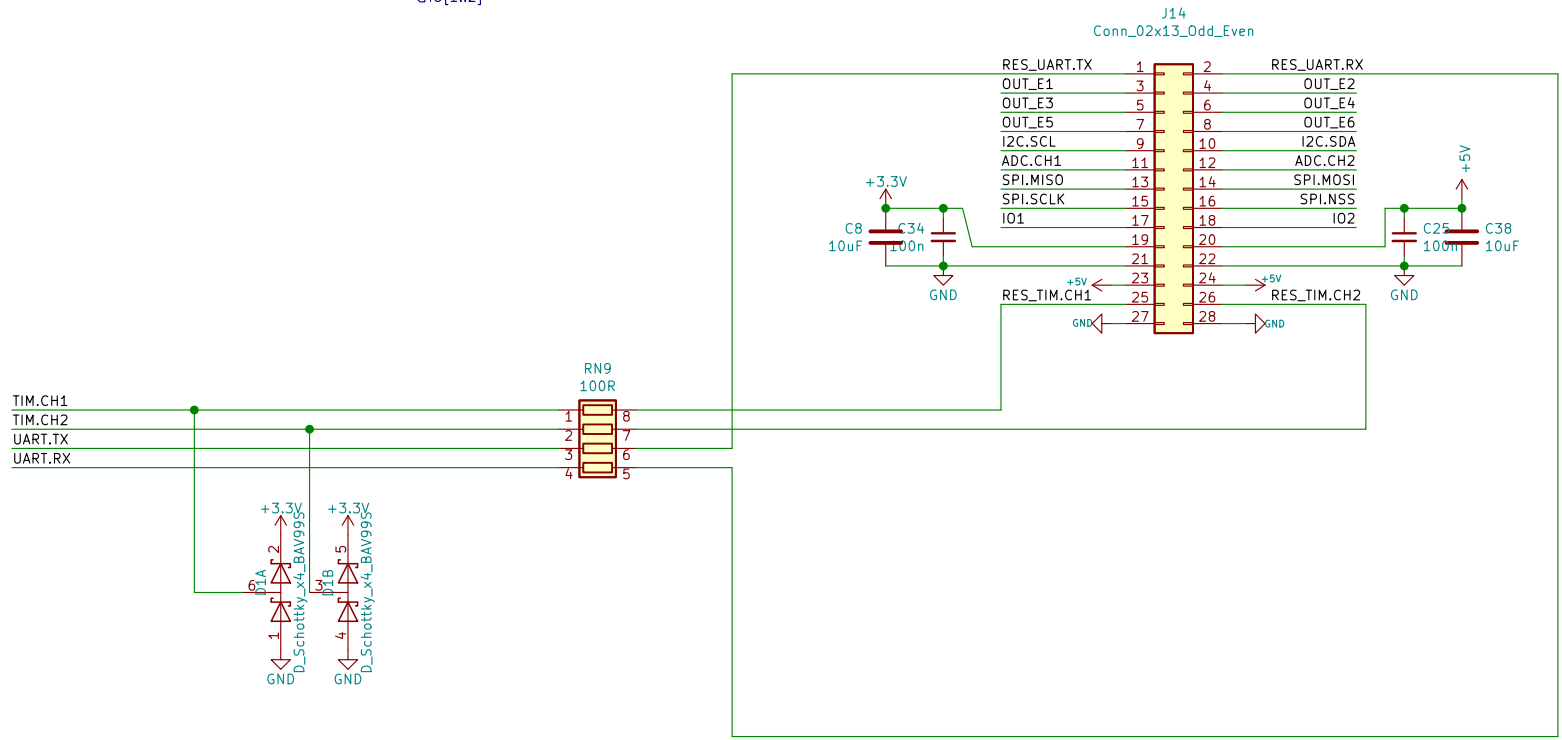
Sheet: /Ethernet/ File: ethernet.kicad_sch		
<b>Title:</b>		
Size: A3	Date:	Rev:
KiCad E.D.A. kicad (5.99.0-8910-g624a231cc0)		Id: 10/12



Sheet: /Connectors/  
File: connectors.kicad\_sch

<b>Title:</b>		<b>Rev:</b>
Size: A4	Date:	
KiCad E.D.A. kicad (5.99.0-8910-g624a231cc0)		Id: 11/12

- OUT\_E[1..6]
- UART{TX RX}
- I2C{SCL SDA}
- ADC{CH1 CH2}
- TIM{CH1 CH2}
- SPI{MISO MOSI SCLK NSS}
- IO[1..2]



Sheet: /midboard/		Date:	
File: midboard.kicad_sch		Rev:	
<b>Title:</b>			
Size: A4	KiCad E.D.A. kicad (5.99.0-8910-g624a231cc0)		Id: 12/12