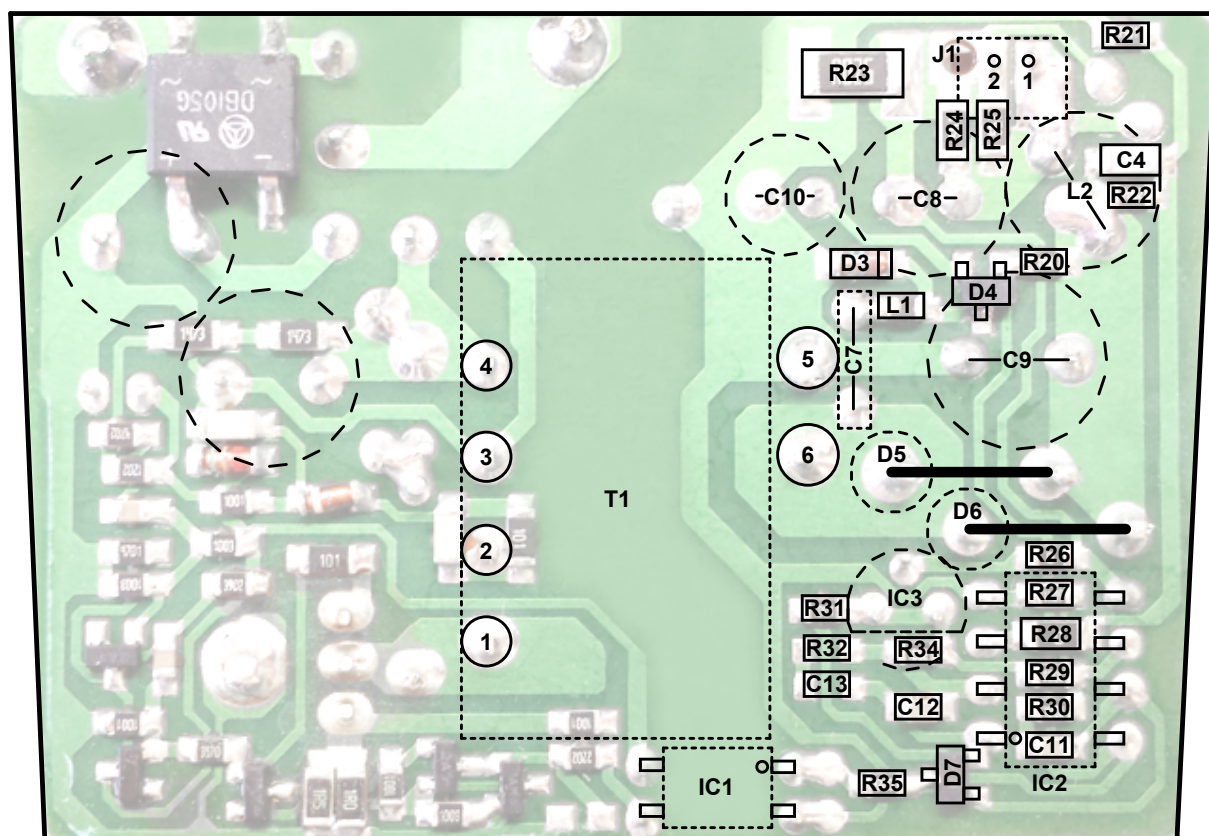
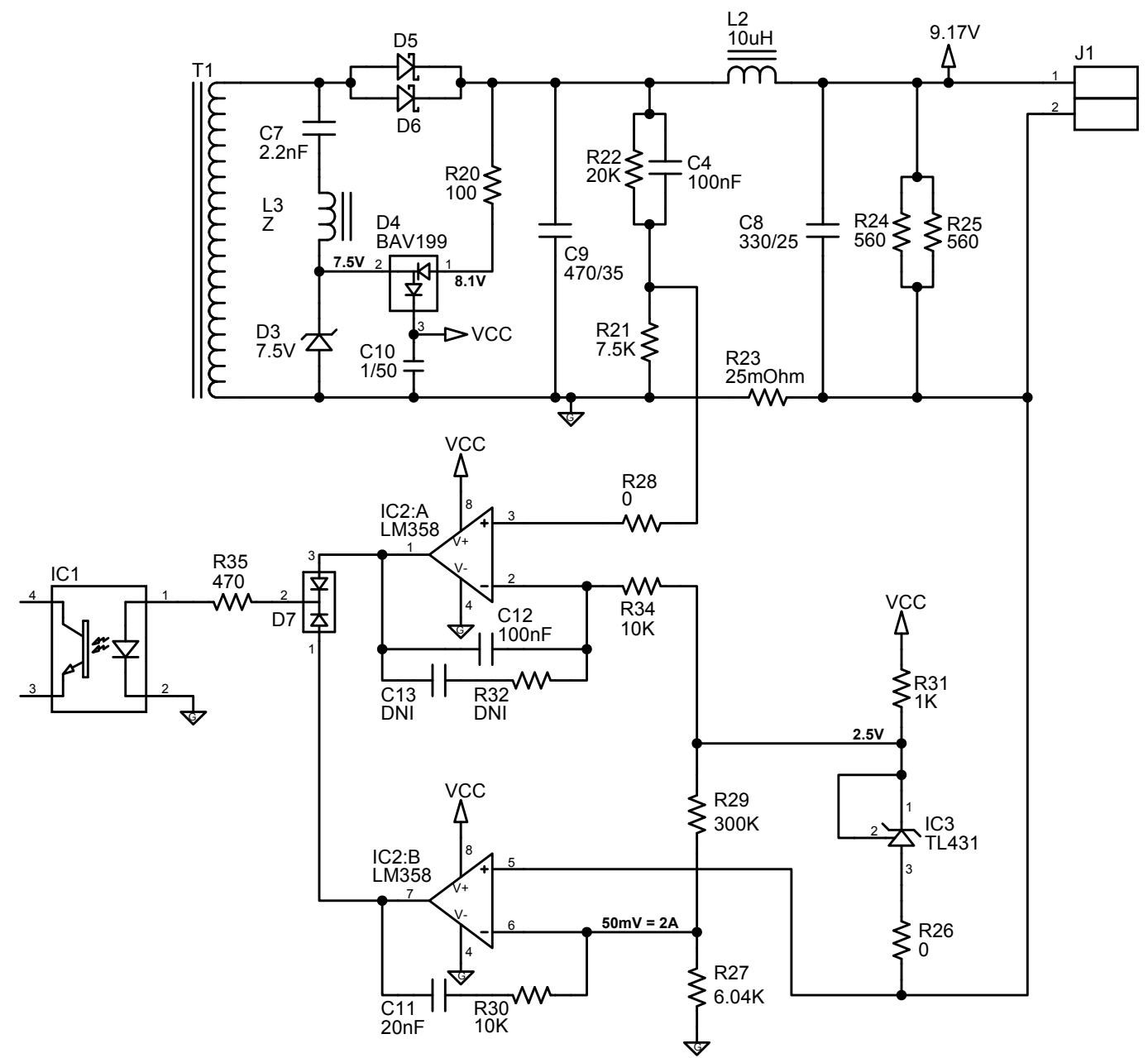


REVISION HISTORY			
REV	DESCRIPTION	APPROVED	DATE



APPROVALS		DATE	TITLE		
DRAWN	J TAYLOR	10/15/15	Cincon TR1509 Switching PS		
CHECKED					
ENGINEER					
PROJ ENGINEER			SIZE	FSCM NO.	DRAWING NO.
APPROVED			B		0214
QA			SCALE	NONE	© 2015 TES
					MODIFIED: 10/15/15 4:40:00 PM
					SHEET 1 OF 1