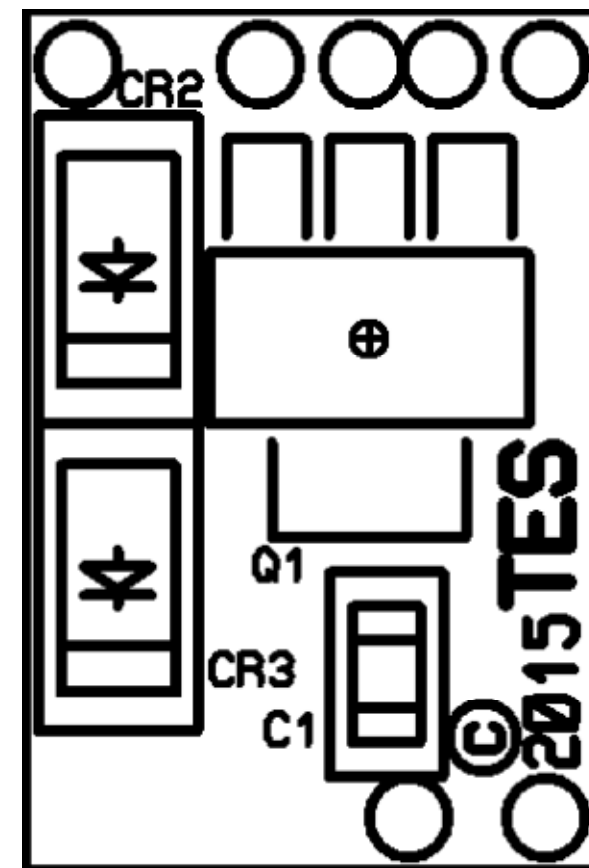
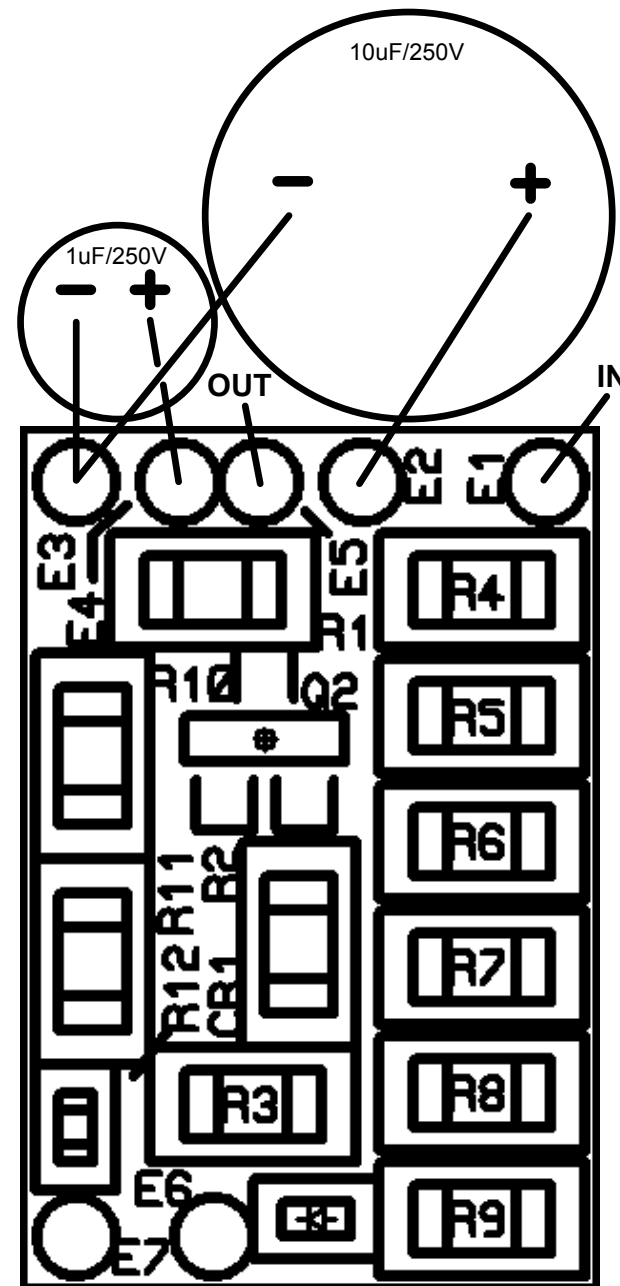
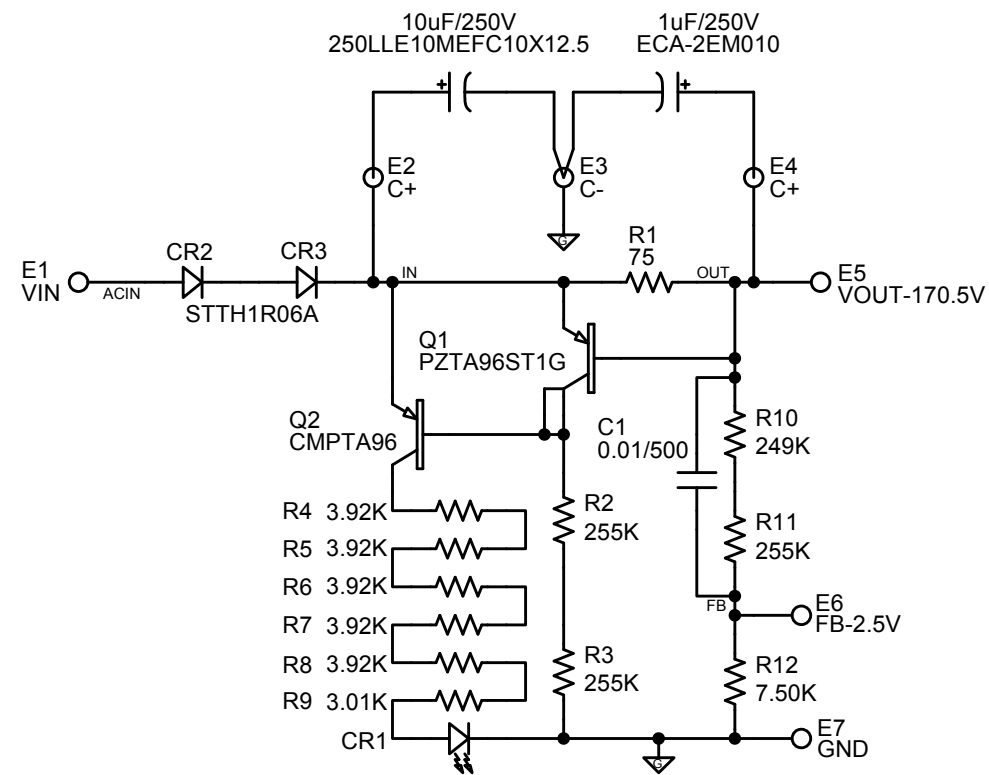


REVISION HISTORY			
REV	DESCRIPTION	APPROVED	DATE



APPROVALS		DATE	TITLE		
DRAWN	J TAYLOR	10/19/15	Active preload and feedback network for Cincon TR1509 high voltage mod		
CHECKED					
ENGINEER					
PROJ ENGINEER			SIZE	FSCM NO.	DRAWING NO.
APPROVED			B		1541
QA			SCALE	NONE	REV. -
			© 2015 TES	MODIFIED: 11/05/15 3:55:49 PM	SHEET 1 OF 1