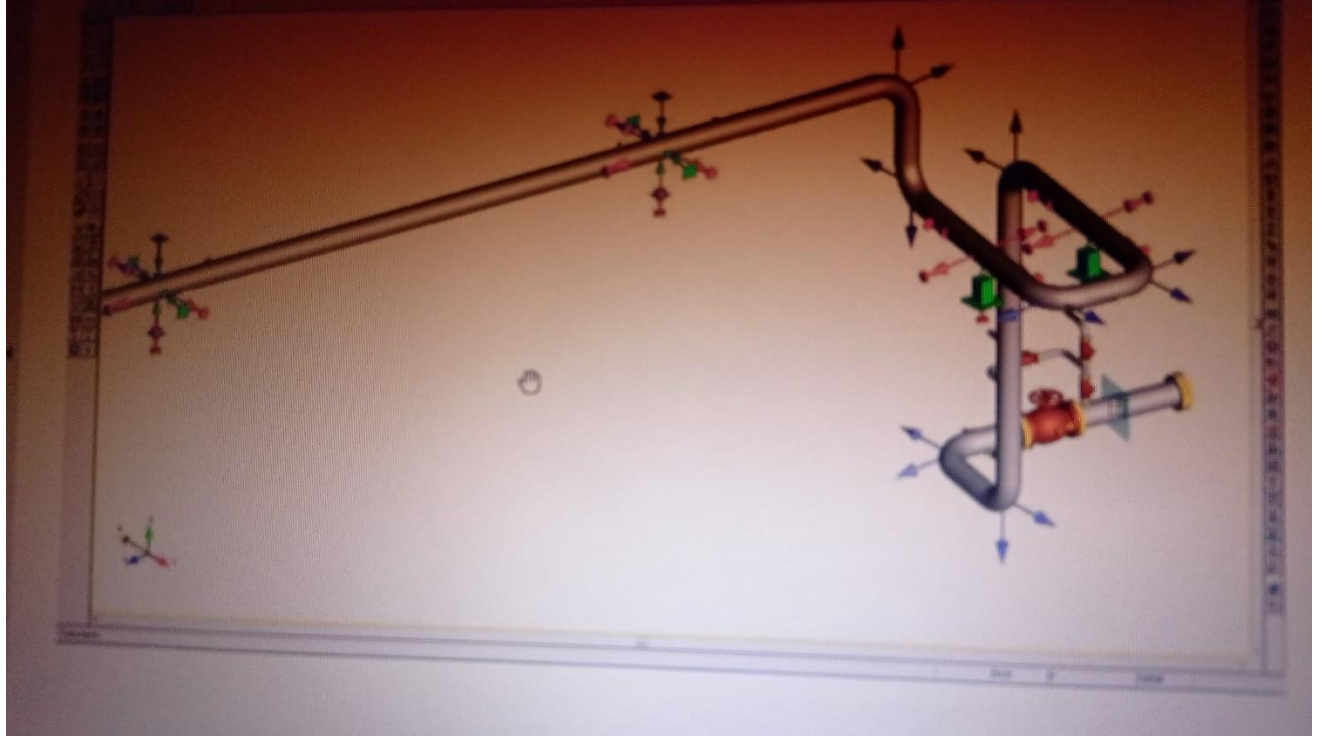
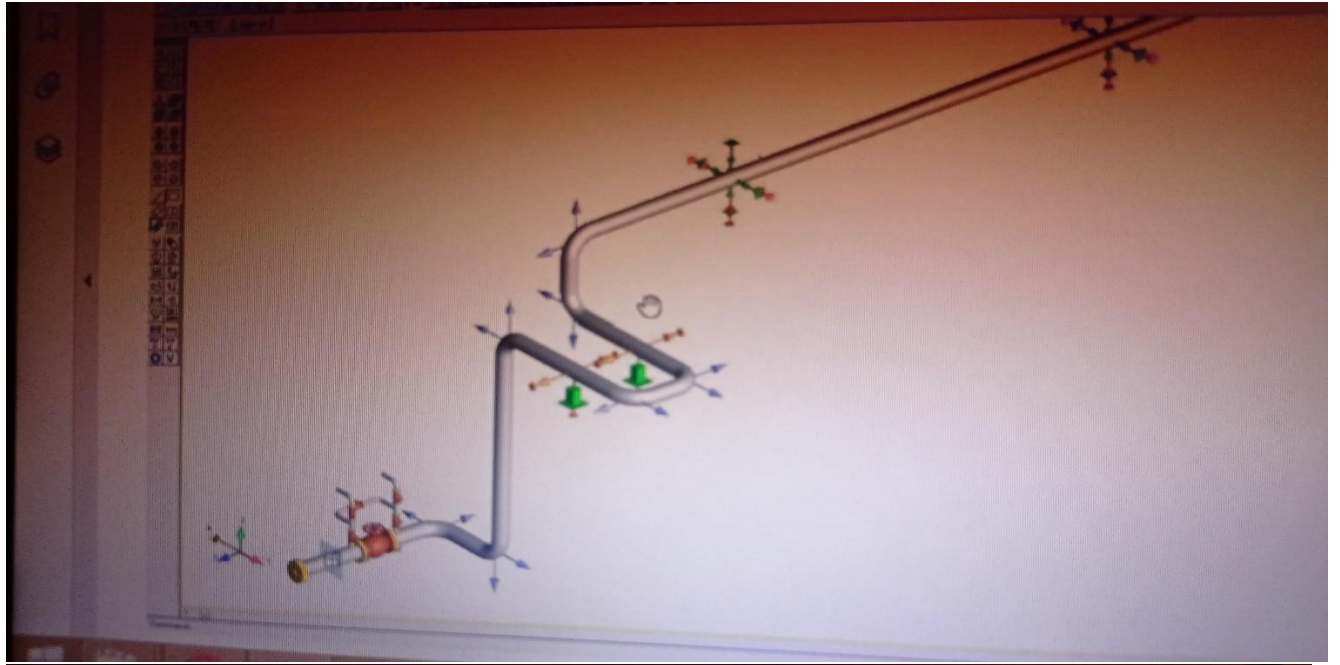
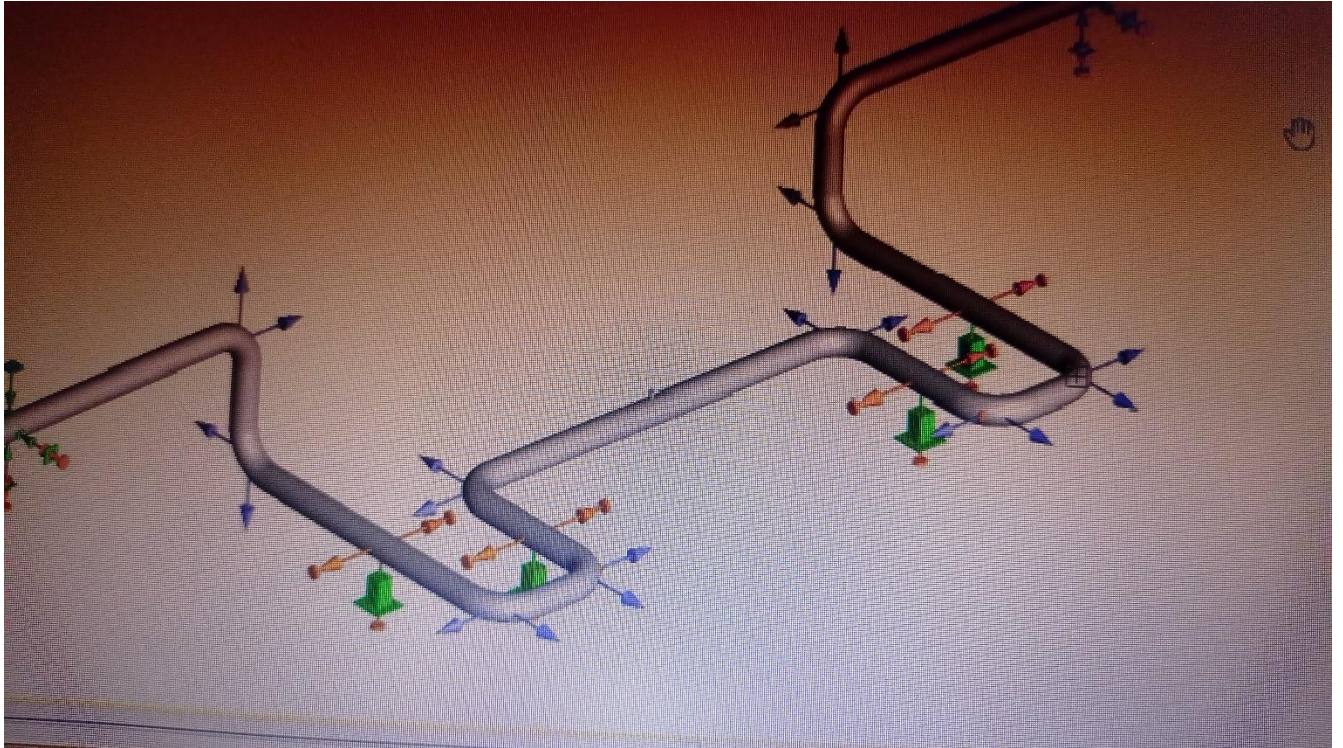


U-LOOP



INLET AND OUTLET LOOP



W-LOOP