

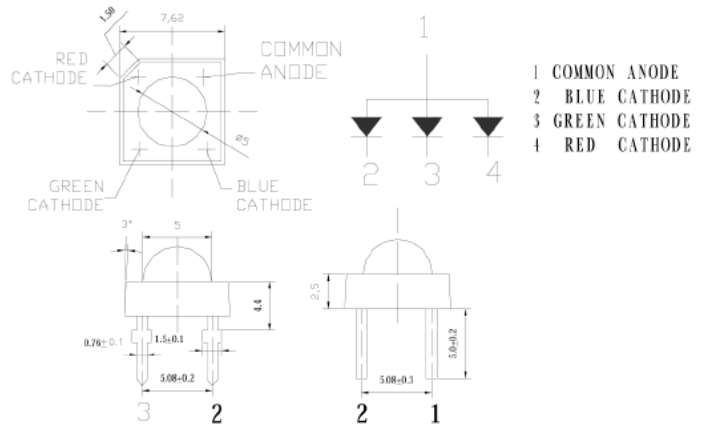
■Features

- High Luminous Output
- Common Anode
- Superior Weather-resistance
- Water Clear Type
- With 5mm Lens

■Applications

- Toys
- Games
- Audio

■Outline Dimension



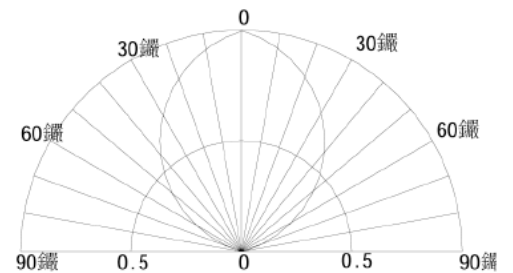
■Absolute Maximum Rating

(Ta=25 °C)

Item	Symbol	Value	Unit
DC Forward Current (RED)	I_F	50	mA
DC Forward Current (GREEN/BLUE)	I_F	30	mA
Pulse Forward Current*(RED)	I_{FP}	100	mA
Pulse Forward Current* (GREEN/BLUE)	I_{FP}	50	mA
Reverse Voltage	V_R	5	V
Power Dissipation	P_D	150	mW
Operating Temperature	T_{opr}	-30 ~ +85	°C
Storage Temperature	T_{stg}	-30 ~ +100	°C
Lead Soldering Temperature	T_{sol}	260 °C / 3sec	-

*Pulse width Max.10ms Duty ratio max 1/10

■Directivity



■Electrical -Optical Characteristics

(Ta=25 °C)

Item	Symbol	Condition	Min.	Typ.	Max.	Unit
DC Forward Voltage	$V_F(R)$	$I_F=20mA$	1.8	2.0	2.4	V
	$V_F(B/G)$	$I_F=20mA$	2.8	3.2	3.6	V
DC Reverse Current	I_R	$V_R=5V$	-	-	10	μA
Domi. Wavelength	$\lambda_D(RED)$	$I_F=20mA$	620	625	630	nm
	$\lambda_D(GREEN)$	$I_F=20mA$	520	525	530	nm
	$\lambda_D(BLUE)$	$I_F=20mA$	465	470	475	nm
Luminous Intensity	$I_V(RED)$	$I_F=20mA$	2180	3000	-	mcd
	$I_V(GREEN)$	$I_F=20mA$	3500	4200	-	mcd
	$I_V(BLUE)$	$I_F=20mA$	1560	2180	-	mcd
50% Power Angle	$2\theta_{1/2}$	$I_F=20mA$	-	100	-	deg

LED & Application Technologies