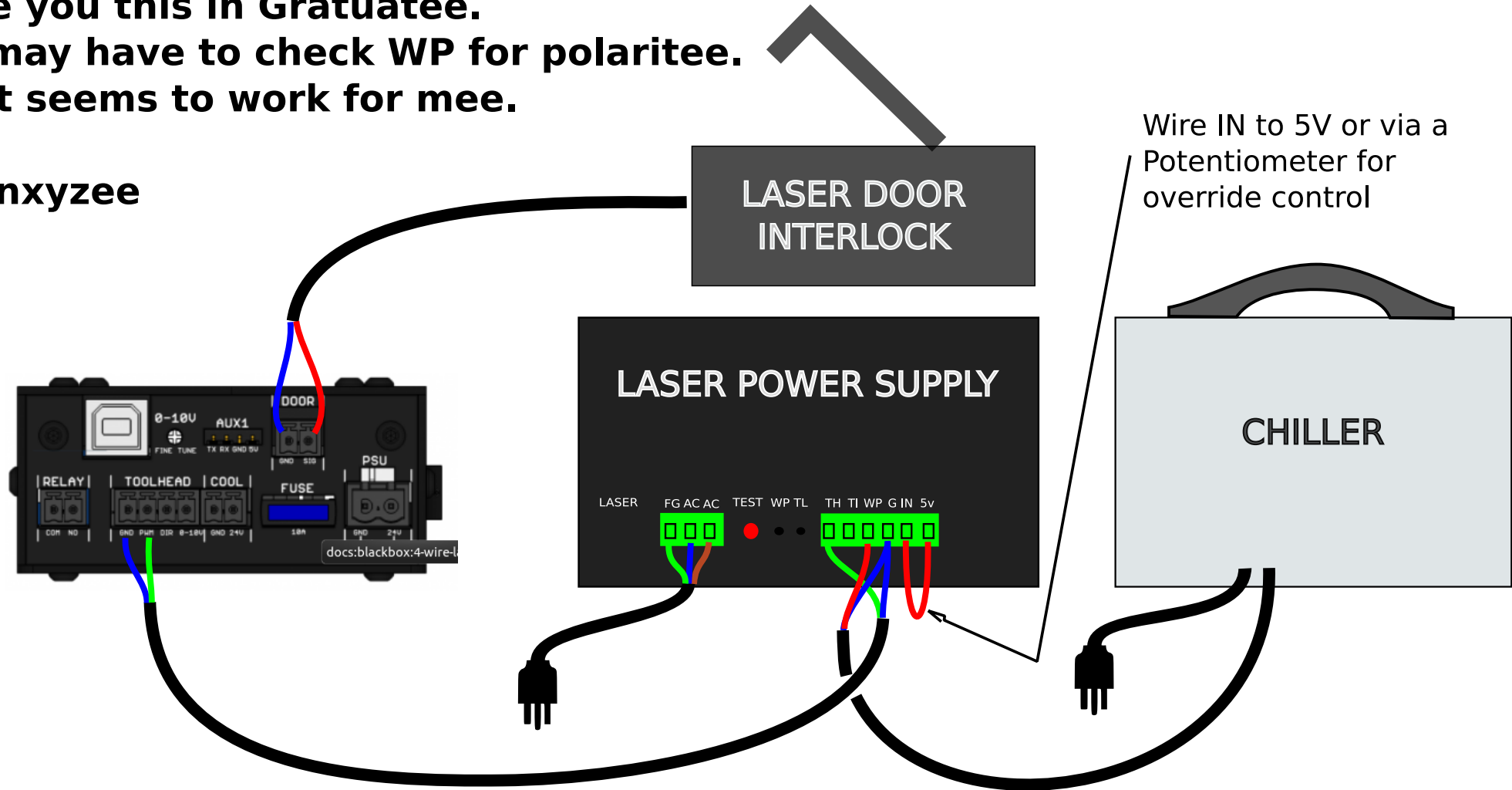


**For those of you as thick as mee.
Who can't figure how to wire a laseree.
I give you this in Gratuatee.
You may have to check WP for polaritee.
But it seems to work for mee.**

Aaronxyzee



Gnd on BlackBox Toolhead, to G
Pwm on BlackBox Toolhead to TH

WP= water protection = wire flow sensor
or chiller so it Grounds when
liquid cooling is OK