

Sheet: tx-filter

File: tx-filter.sch

Sheet: rx-filter

File: rx-filter.sch



J11UDD

Sheet: /

File: hermeslite.sch

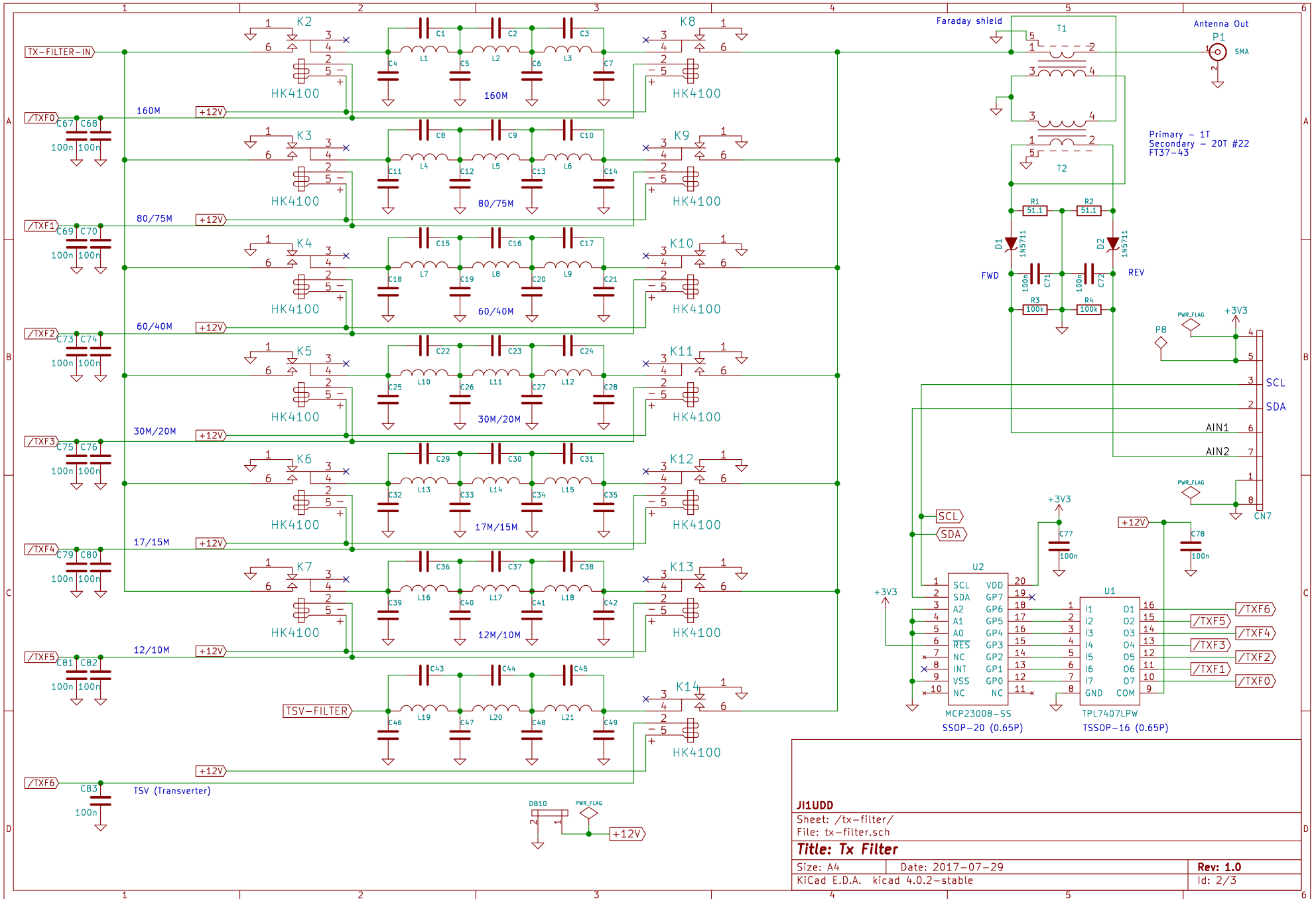
Title: Tx/Rx Filter

Size: USLetter Date: 2017-07-29

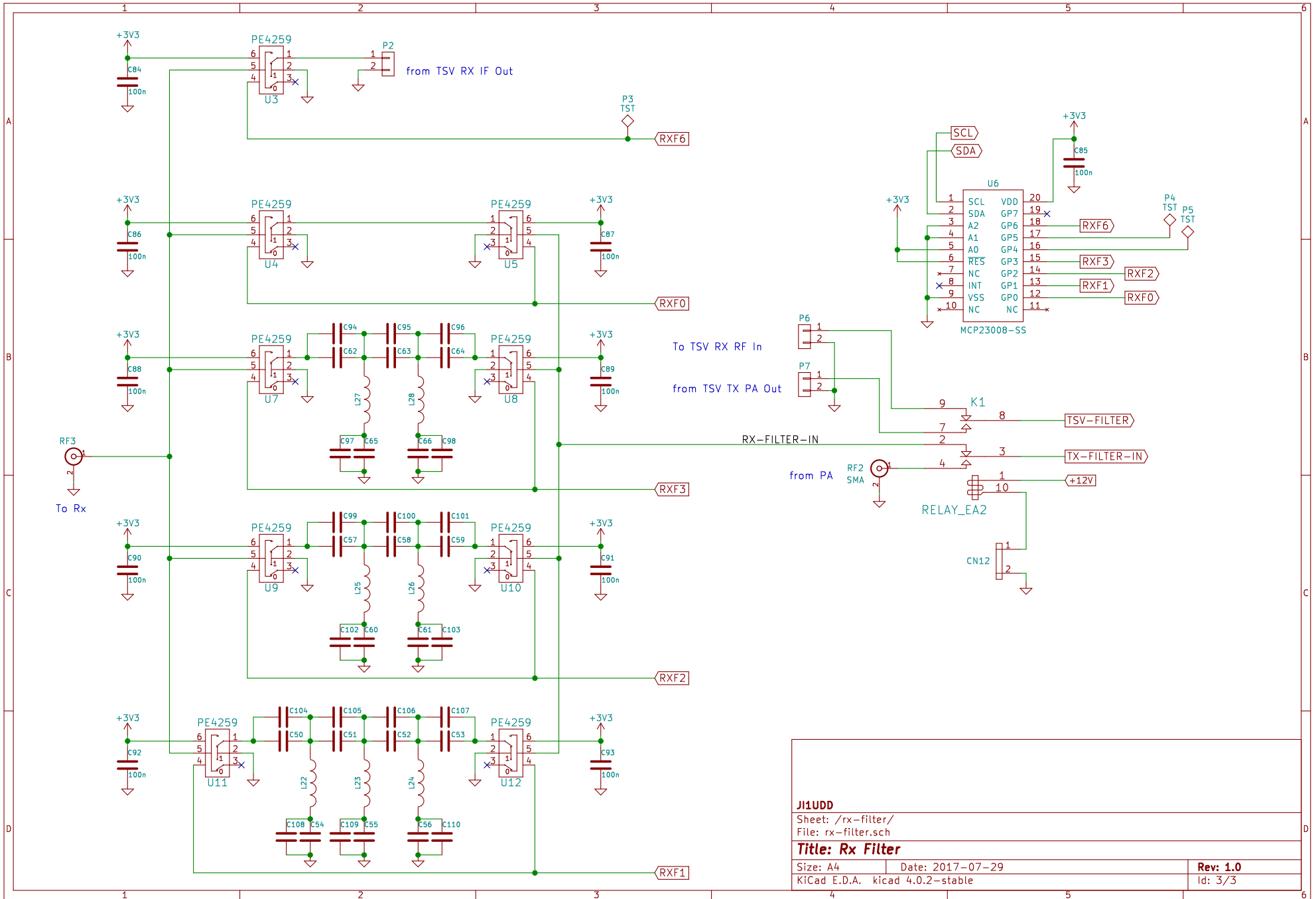
KiCad E.D.A. kicad 4.0.2-stable

Rev: 1.0

Id: 1/3



J11UDD	
Sheet: /tx-filter/ File: tx-filter.sch	
Title: Tx Filter	
Size: A4	Date: 2017-07-29
KiCad E.D.A. kicad 4.0.2-stable	
Rev: 1.0	
Id: 2/3	



J11UDD	
Sheet: /rx-filter/ File: rx-filter.sch	
Title: Rx Filter	
Size: A4	Date: 2017-07-29
KiCad E.D.A. kicad 4.0.2-stable	Rev: 1.0 Id: 3/3