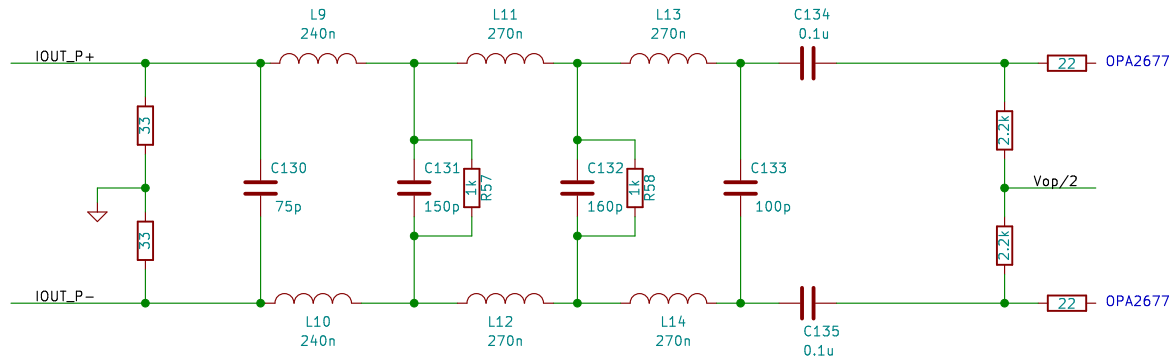
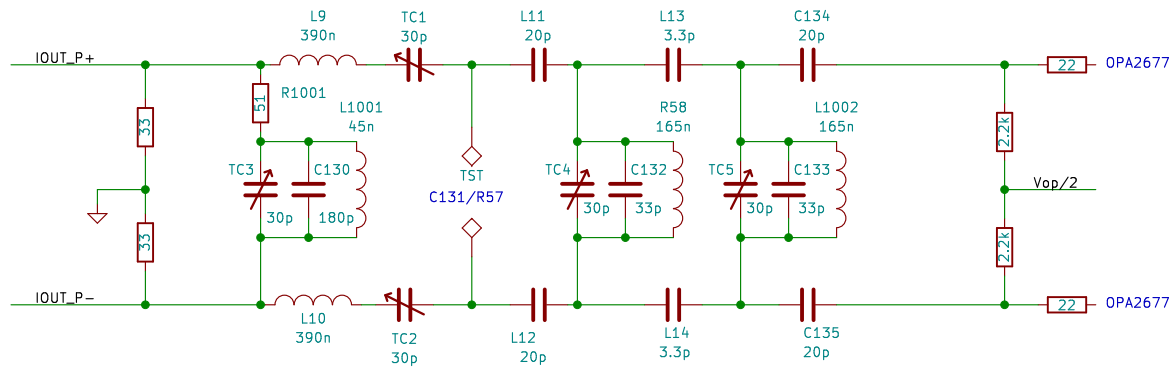


### LPF for HF (Hermes-Lite v2.0-pre1)



Murata LQW2BA  
 L9, L10 : 240nH, Q=44  
 L11-L14: 270nH, Q=48  
 Size: 0806 (2015 Metric)  
 Others (L,C) : 0805

### BPF for 6M



L1, L2 : T25-6 18 turns, UEW 0.4mm  
 L3 : T25-6 4 turns, UEW 0.5mm  
 L4, L5 : T25-6 16 turns, UEW 0.4mm  
 TC1-TC5 : Murata TZ03 30pF

Not experimented  
 Abracon AISC-1008  
 390nH, Q=50  
 47nH, Q=65  
 180nH, Q=50  
 Size:1008 (2520 Metric)  
 or  
 Murata LQW2BA  
 Murata  
 TZB4 : 4.5mm x 4.0mm  
 TZC3 : 4.5mm x 3.2mm

Need additional footprint : TC1-TC5, R1001, L1001, L1002

J11UDD  
**SoftwareHardware**  
 Sheet: /  
 File: frontend.sch

**Title: Hermes-Lite Reconstruction filter**

Size: USLetter Date: 2016-07-03  
 KiCad E.D.A. kicad 4.0.2-stable

Rev: 0.0  
 Id: 1/1