

1

2

3

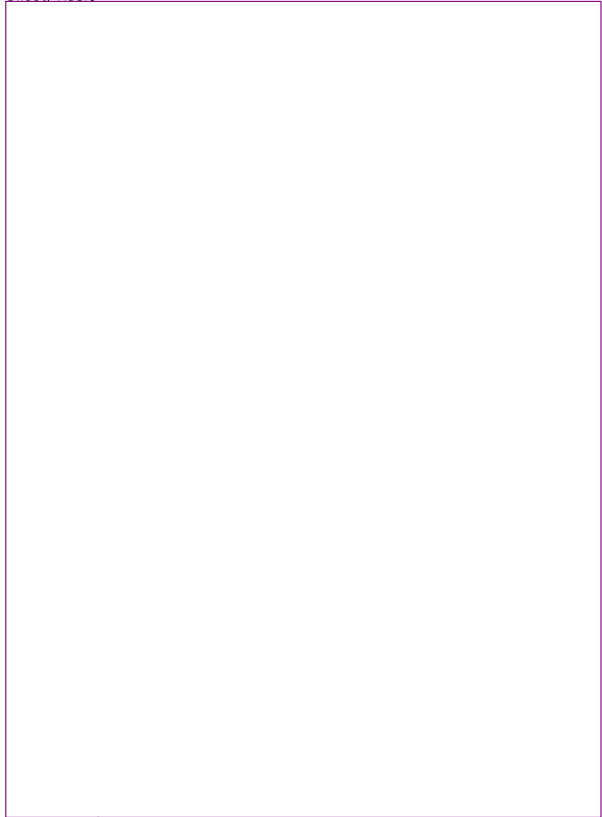
4

5

A

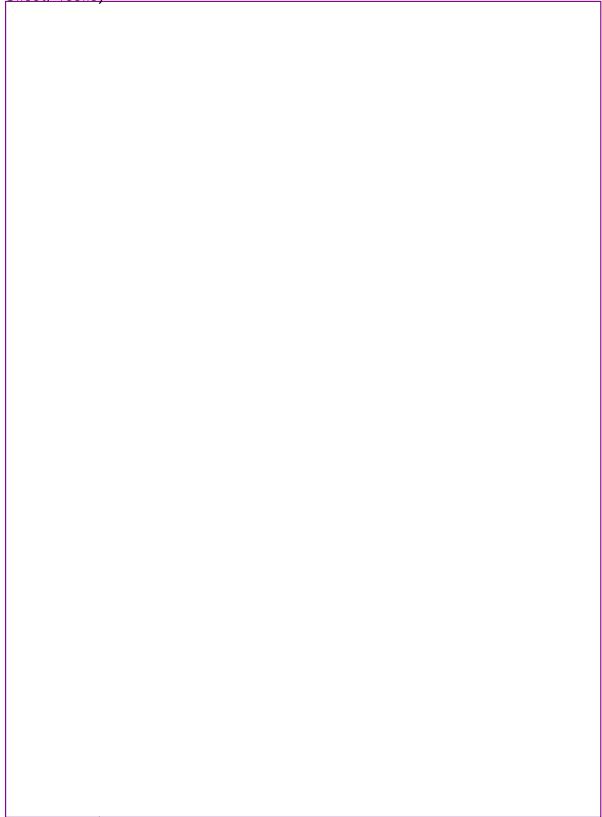
A

Sheet: Audio



File: file60A4A5BB.sch

Sheet: Teensy



File: file60B41C2C.sch

B

B

C

C

D

D

KF70 Steve Haynal

**SofterHardware**

Sheet: /

File: TeensyKeyerShield.sch

**Title: Teensy CW Keyer Shield**

Size: USLetter Date: 2021-05-31

**Rev: 1.0**

KiCad E.D.A. kicad 5.1.10-88a1d61d5888ubuntu20.04.1

Id: 1/3

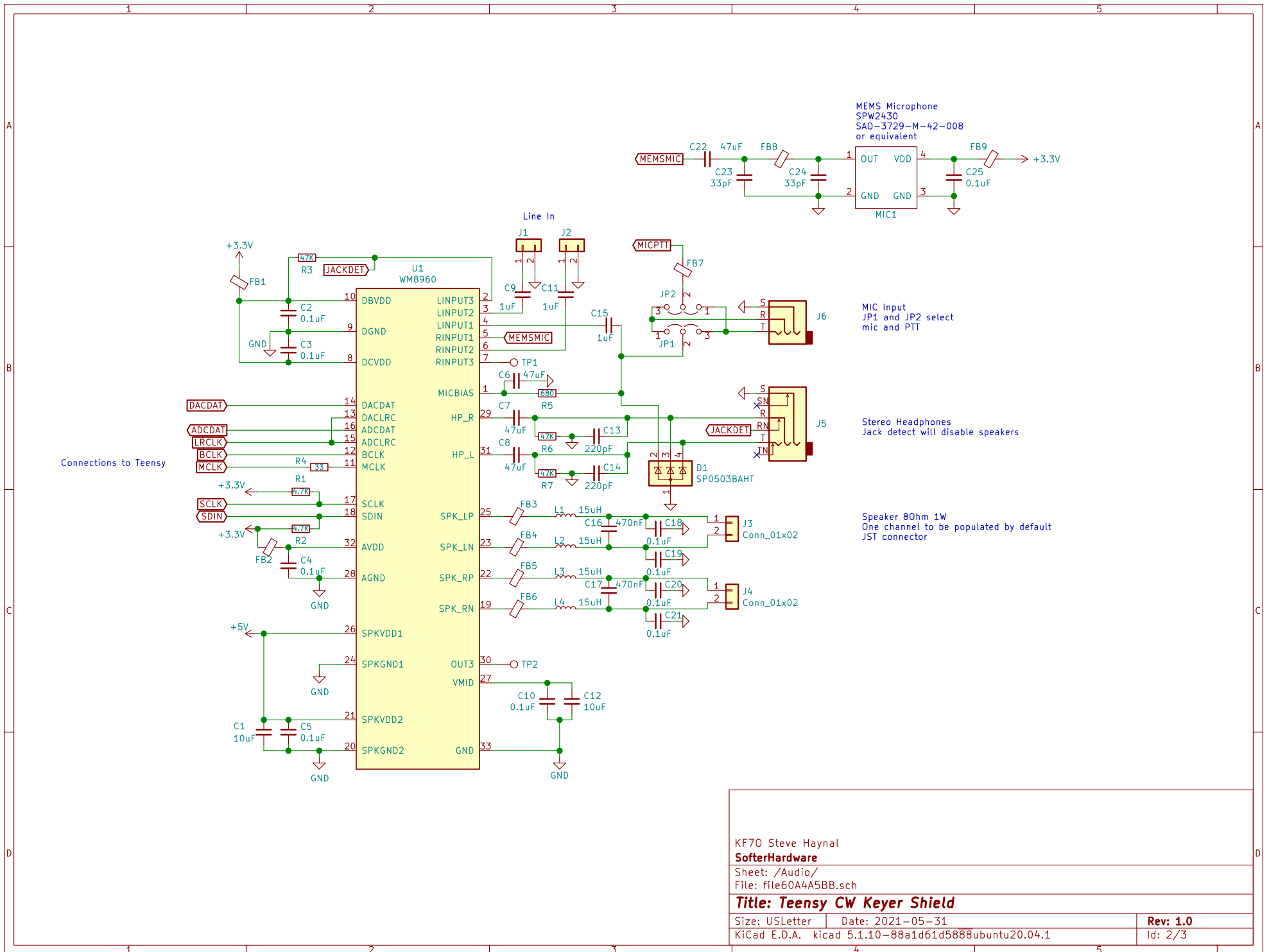
1

2

3

4

5



KF70 Steve Haynal

SofterHardware

Sheet: /Audio/

File: file60A4A5BB.sch

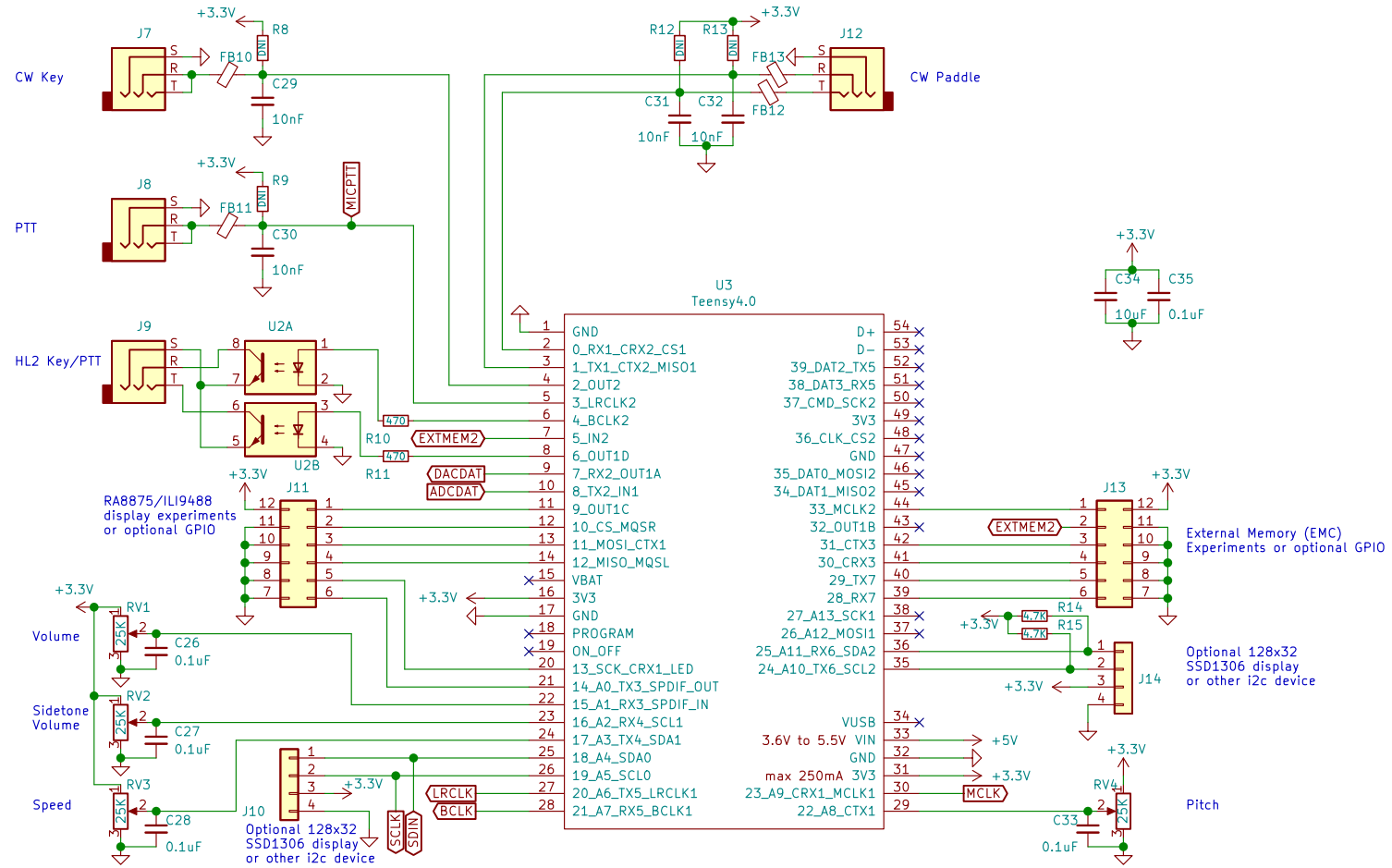
**Title: Teensy CW Keyer Shield**

Size: USLetter Date: 2021-05-31

KiCad E.D.A. kicad 5.1.10-88a1d61d5888ubuntu20.04.1

Rev: 1.0

Id: 2/3



KF70 Steve Haynal  
**SofterHardware**  
 Sheet: /Teensy/  
 File: file60B41C2C.sch  
**Title: Teensy CW Keyer Shield**  
 Size: USLetter | Date: 2021-05-31  
 KiCad E.D.A. kicad 5.1.10-88a1d61d5888ubuntu20.04.1 | Rev: 1.0  
 Id: 3/3