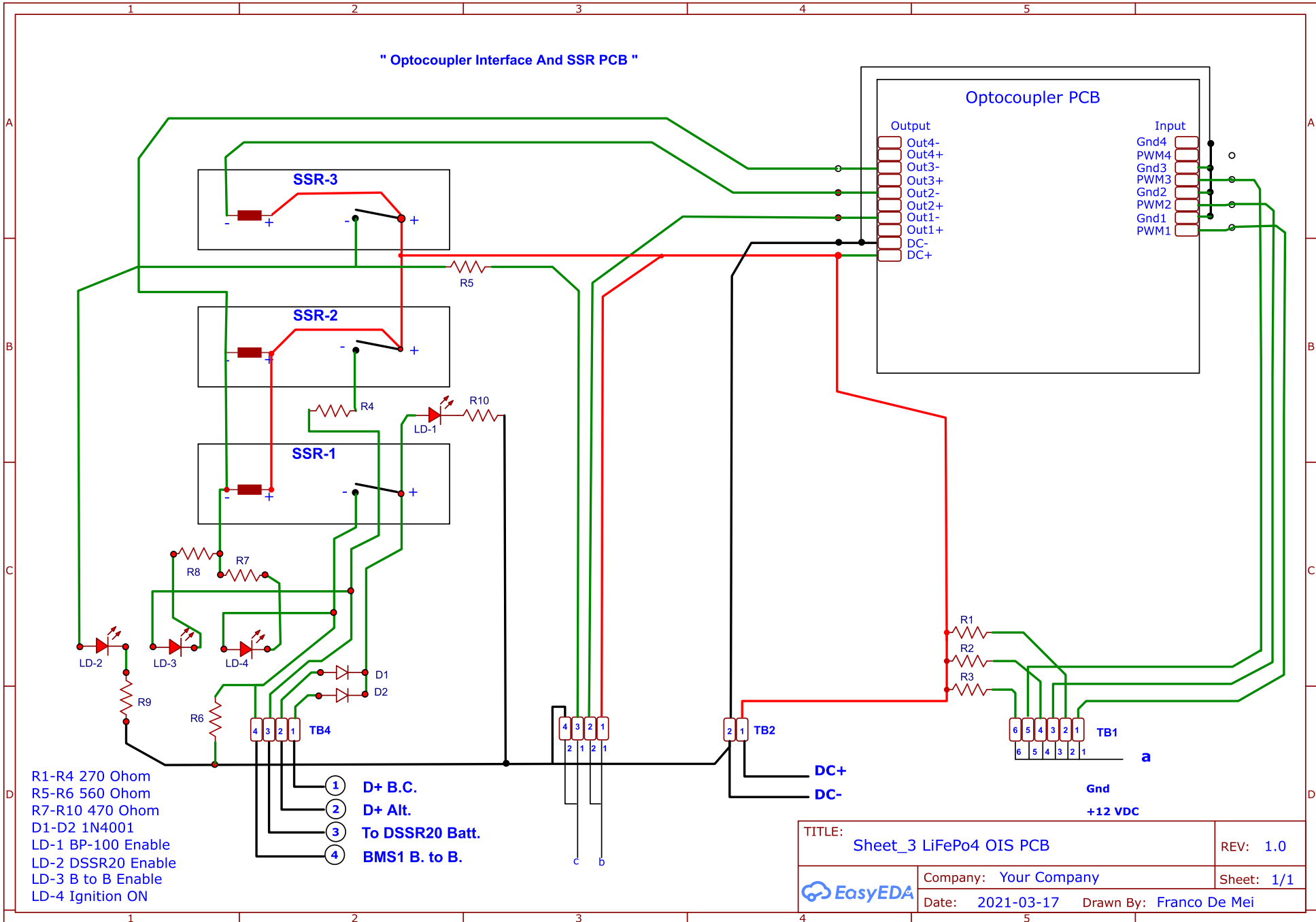


TITLE: Sheet_2 LiFePo4Control System Wiring		REV: 1.0
EasyEDA	Company: Barca Aghia	Sheet: 1/1
	Date: 2020-12-26	Drawn By: Franco De Mei

" Optocoupler Interface And SSR PCB "



TITLE: Sheet_3 LiFePo4 OIS PCB		REV: 1.0
EasyEDA	Company: Your Company	Sheet: 1/1
	Date: 2021-03-17	Drawn By: Franco De Mei

### Leds Indications

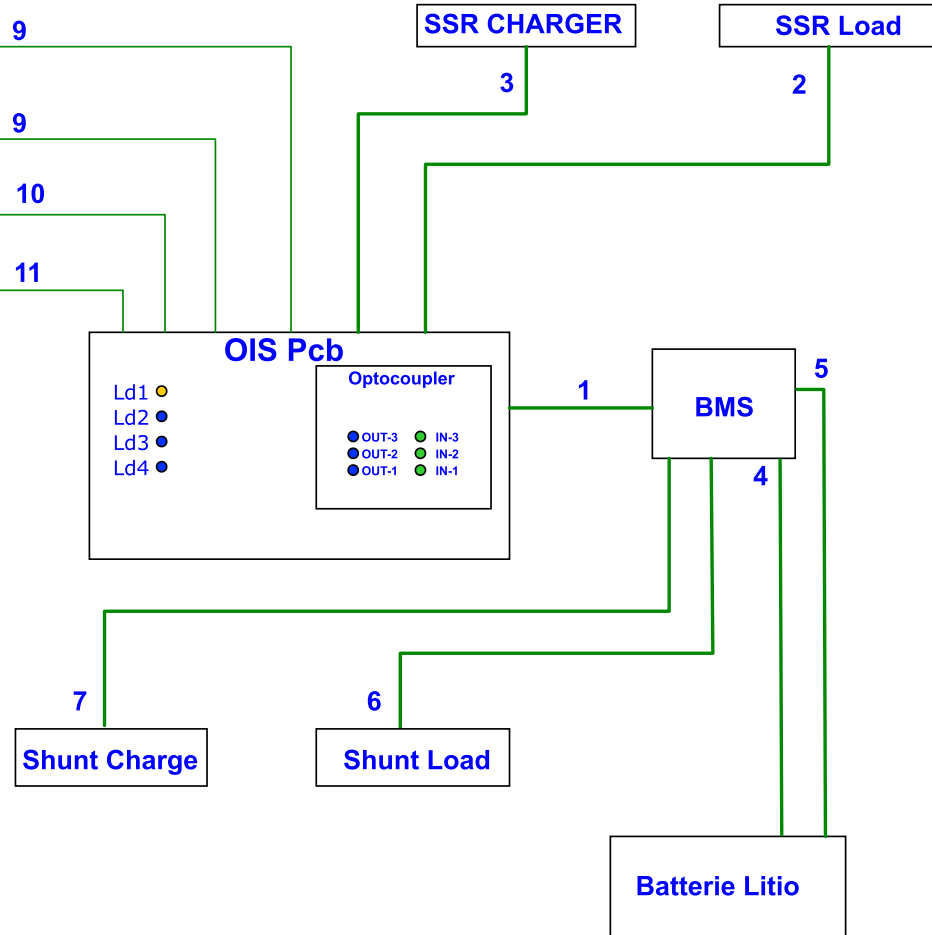
LD1 - Ac Charge Battery or Alternator Available +12 Batt.  
LD2 - BP100 Enabled D+ Altern.  
LD3 - DSSR20 Enabled +12 Ac C.B. Batt.  
LD4 - BB1230 Enabled D+ BB1230

### Data Cables

- 1 N. 6x0,75 da Interf. a BMS
- 2 N. 2x0,75 da Interf. a SSR Load
- 3 N. 2x0,75 da Interf. a SSR Charger
- 4 N. 12x0,50 da BMS a Batt. Litio
- 5 N. 2x0,75 da BMS a Batt. Litio
- 6 N. 2x0,75 da BMS Shunt Load
- 7 N. 2x0,75 da BMS a Shunt Charger
- 8 N. 1x0,75 da Interf. a +12 Batt.
- 9 N. 1x0,75 da Interf. a D+ Alternatore
- 10 N. 1x0,75 da Interf. a +12 Carica batterie ac
- 11 N. 1x0,75 da Interf. a D+ IN BB1260

### Power cables

- 1n-1p cavi preesistenti
- 2n-2p 35 mm<sup>2</sup>
- 3n-3p 25 mm<sup>2</sup>
- 4n-4p 4mm<sup>2</sup>



TITLE:	Sheet_ LiFePo4 Cabling	REV:	1.0
EasyEDA	Company: Your Company	Sheet:	1/1
Date:	2021-01-16	Drawn By:	Franco De Mei