

BK8000L

From ElectroDragon

Contents

- 1 Introduction
- 2 Pin definitions, Dimension
- 3 Circuite Design
- 4 AT Commands
 - 4.1 Basic Controll
 - 4.2 Inquiry
 - 4.3 Feedback Send from Module
 - 4.4 SPP Commands
- 5 Basic Application Circuit
- 6 Convert board
- 7 Design Note
- 8 Suitable Amplifier

Share |

Introduction

- This module uses the master Beken (Broadcom) is BK8000L chip module provides high-quality sound and compatibility, overall better performance.
- Bluetooth module uses driver-free way, customers just need to block access to applications, you can quickly and easily implement wireless transmission of music, enjoy wireless music fun.
- SPP supports data transmission, while supporting the key and AT serial command control, SPP and audio can be performed simultaneously.
- Can store six paired devices, the module is automatically switched back even to the last paired device. If six paired devices simultaneously open, then automatically connect to the last paired device.

Applications This module is mainly used for short distance transmission of music, you can easily and notebook computers, mobile phones, PDA and other digital production:

- Bluetooth devices connected to the product, wireless transmission of music.
- Stereo Bluetooth speakers;
- Bluetooth stereo headphones;
- Bluetooth phone;
- Bluetooth control and multimedia equipment;
- Bluetooth SPP serial data transmission.

Basic Features

- Bluetooth v2.1 + EDR,
- A2DP v1.2,
- AVRCP v1.0,
- HFP v1.5,
- GAVDP1.2,
- HSP1.2,
- IOP.

Specifications

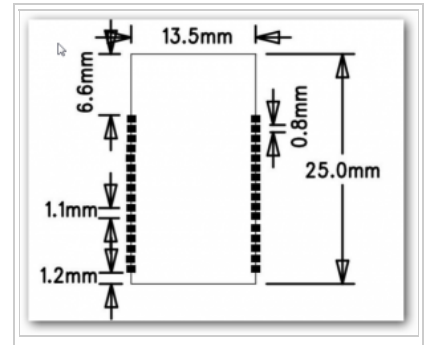
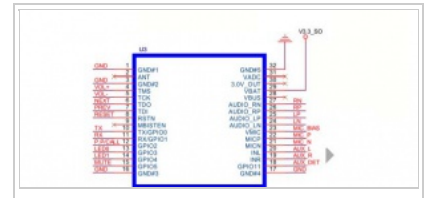
- Model EB8000
- Bluetooth specification Bluetooth V2.1
- Supply voltage DC2.8-4.2V, $\leq 2.9V$ automatic shutdown, $\leq 3.1V$ alarm
- Bluetooth protocol HFPV1.5, A2DPV1.2, AVRCPV1.4, HSP1.2, GAVDP1.2, IOP
- Working current $\leq 60mA$
- Standby current $< 500uA$
- Temperature range $-40^{\circ}C \sim + 85^{\circ}C$
- Wireless transmission range ≤ 10 meters
- Transmission power Class2 4dbm
- Sensitivity -80dBm $< 0.1\%$ BER
- Frequency Range 2.4GHz ~ 2.480GHz
- External Interface Serial (TTL), connected to the PC need MAX232
- SBC decoding audio performance
- Module size 25x13.5x1.8mm
- Adapter plate size 31x25mm

Pin definitions, Dimension

Name Number IO IO IO Description

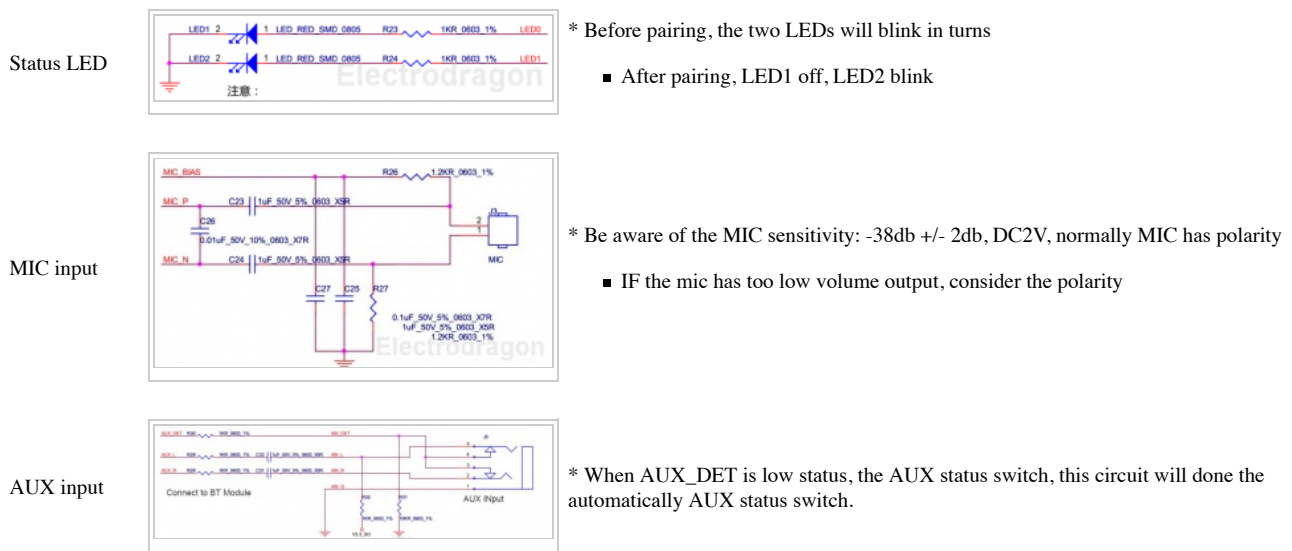
- 1 GND ground antenna _GND
- 2 ANT antenna (default built-in antenna, external disconnect)
- 3 GND ground antenna _GND
- 4 VOL + (TMS) volume up (programming interface)

- 5 VOL- (TCK) Volume down (programming interface)
- 6 NEXT (TDO) under a (programming interface)
- 7 PREV on (TDI) song (programming interface)
- 8 RSTN low reset (programming interface)
- 9 MBISTEN Memory bit check
- 10 TX (GPIO0) serial TX
- 11 RX (GPIO1) serial RX
- 12 PP / CALL (GPIO2) Play / Pause / receive calls / back / re-pair
- 13 LED0 (GPIO3) status indicator
- 14 LED1 (GPIO4) status indicator
- 15 MUTE (GPIO5) Mute control (mute low)
- 16 GND Power ground
- 17 AGND AUX ground
- 18 AUX_DET (GPIO11) AUX insertion detection
- 19 AUX_R AUX right input
- 20 AUX_L AUX left input
- 21 MIC_N microphone negative terminal
- 22 MIC_P microphone positive terminal
- 23 VMIC Mike bias voltage
- 24 LN Audio left channel differential output negative end
- 25 LP audio left channel positive differential output terminal
- 26 RP audio right channel positive differential output terminal
- 27 RN audio right channel negative differential output terminal
- 28 VBUS 5V input charging port (charging is not enabled)
- 29 VBAT power input (2.8 ~ 4.2V)
- 30 3V0 3V output
- 31 ADC ADC input (not enabled)
- 32 GND Power ground



Circuite Design

Function	Description	schematic
Power supply		<p>* VCC voltage range (3.3 ~ 4.2V). When using an external power supply, use AMS1117 is converted to 3.3V; when powered by lithium batteries, lithium guarantee voltage between 3.3V ~ 4.2V;</p> <ul style="list-style-type: none"> ■ Lithium battery-powered, no voltage is converted to 3.3V. Because the general lithium battery voltage of 4.2V or 3.6V; ■ Recommendations Bluetooth module supply terminal in parallel with the capacitor 104 470uf suppress interference. ■ As shown above connections, the module can be a mobile phone or a computer identified as "BK8000L" power, the connection without password authentication.
LRG three wires	 	<ul style="list-style-type: none"> ■ Not recommended to use three wires amplifier board for example PAM8403 amp board due the common GND, will have current noise. But if the circuits can go well with the problem it still can work ■ When a three-wire, 220uf capacitance necessary to eliminate noise and improve sound quality; ■ When using three lines, note application mode; ■ The default setting maximum sound module; ■ Three-wire method can only drive 3.5mm eadphones. ■ Output to 3.5mm headphones or 3.5mm input soundbox
Differential four wires		<p>Differential four wires:</p> <ul style="list-style-type: none"> ■ Auto enable on CTRL pin ■ when 5V VCC, speaker can use 4ohm13W ■ C21, C22 keep close to HT6872; ■ Module control chip mute welding R22, no welding R21. No control, welding R21, no welding R22. ■ Recommendations for soldering of R21, no welding R22, reason is when play a song and in the silent phase, a module considered to be muted, it will shut off HT6872 and cause discontinuities stopped play.
Button Function	<p>Play/Pause (Short Press) Phone Pick/Hang oof (Short Press) Call Back (Long press) BT Repair (Long long press)</p>	
Serial port	<p>9600, N, 8, 1 /r/n : carriage return or 0x0D, 0x0A</p>	<p>* would be best to use MAX3232 (5V-3.3V) capacitance 0.1uf;</p> <ul style="list-style-type: none"> * Note that the baud rate, 9600, N, 8,1; * Note instruction bottom line breaks; * If the serial port connection is successful, the module has "ON" output when power up.



AT Commands

- See the demo wiring video here (<https://web.archive.org/web/20170717164839/https://www.youtube.com/watch?v=z4KTndMXxmM>)
- Other users demo video: BK8000L Bluetooth module HFP test (<https://web.archive.org/web/20170717164839/https://www.youtube.com/watch?v=p5ptruefUnM>)
- there are two pins on the breakout board has no mark, please notice
- Use external power source 3.6V on Vbat and gnd, wiring CH340G to RX-TX, TX-RX and GND-GND.
- Logic level of uart is 3V3! not 5V
- All the at commands end up with '\r\n' (new line)

Basic Controll

Serial instruction Parameter Description Example

- CA enters pairing AT + CA \r\n
- CB exit pairing AT + CB \r\n
- CC last paired device to connect AT + CC \r\n
- CD disconnected AT + CD \r\n
- CE incoming call AT + CE \r\n
- CF reject calls AT + CF \r\n
- CG hang AT + CG \r\n
- CH Redial AT + CH \r\n
- CK volume plus AT + CK \r\n
- CL volume reduction AT + CL \r\n
- CO channel switching AT + CO \r\n
- CW reserved.
- CX reserved.
- CZ clear memory AT + CZ \r\n
- CP off AT + CP \r\n
- CV Open Mobile VOICE AT + CV \r\n
- CM multi-language switching AT + CM \r\n
- CMM <number> :(0-4) to set the number of multi-lingual AT + CMM4 \r\n
- CT test mode AT + CT \r\n
- MA Music Play / Pause AT + MA \r\n
- MC music stops AT + MC \r\n
- MD at an AT + MD \r\n
- ME on an AT + ME \r\n
- Fast forward MF AT + MF \r\n
- MH rewind AT + MH \r\n

Inquiry

Bluetooth serial command Description Example return information

- ERR error ERR \r\n
- OK control command recognition is complete OK \r\n
- MR inquiry Bluetooth address AT + MR \r\n AD: 111111111111 \r\n
- MP PIN code query AT + MP \r\n PN: 0000 \r\n
- MN Bluetooth name query AT + MN \r\n NA: EB8000L \r\n
- MQ query software version AT + MQ \r\n XZX-V1.2 \r\n
- MO Discover Bluetooth connection status AT + MO \r\n

connection success: "C1 \r\n"
No connection: "C0 \r\n"

- MV inquiry Bluetooth playback status AT + MV \r\n

Play: "MB \r\n"
 Pause: "MA \r\n"
 Disconnect: "M0 \r\n"

- MY inquiry Bluetooth HFP status AT + MY \r\n Disconnect: "M0 \r\n"

Connection: "M1 \r\n"
 Caller: "M2 \r\n"
 Outgoing: "M3 \r\n"
 Call: "M4 \r\n"

Feedback Send from Module

- II connection succeeds \r\n
- IA Disconnect \r\n
- MA Pause: MA \r\n
- MB Play: MB \r\n
- IR- <Number> call number IR-136XXXXXXXX
- PR- <Number> Outgoing number PR-136XXXXXXXX
- ON Bluetooth is turned ON \r\n

SPP Commands

Note:

1. Make sure module paired with your device (phone)
2. Use BlueSPP app from Google play, make sure BlueSPP is connected
3. Run following commands.

Commands:

- APT + SPPXXXX four-digit password (8888),

Open SPP by using password
 e.g. APT + SPPXXXX \r\n as long as the hair once,
 The password is correct: OK \r\n
 Password Error: ERR \r\n

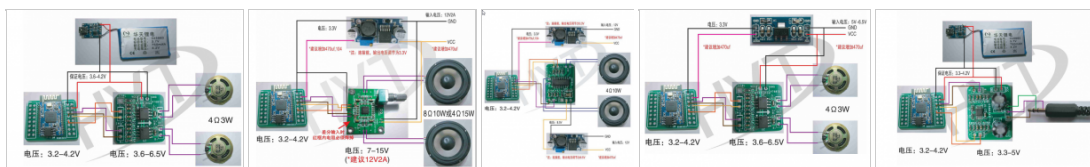
- APT + XXXXXXX total data length of each time send/receive, it recommended not to exceed 64byte

e.g. APT + XXXXXXX \r\n
 The data sent to the mobile phone side
 Success: OK \r\n
 Error: ERR \r\n

- APR + XXXXXXX total data length of each time send/receive, it recommended not to exceed 64byte

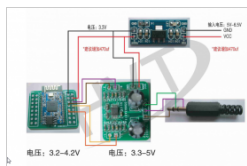
e.g. APR + XXXXXXX \r\n
 Data received from the mobile terminal
 Data sent over the phone
 APR + XXXXXXX \r\n

Basic Application Circuit

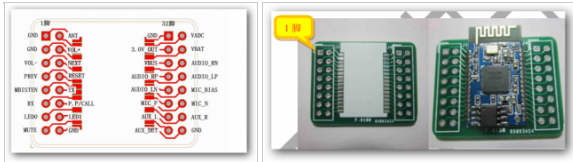


Dual output, HT6872

Output LRG



Convert board



pin definition

Breakout board

Design Note

1. Module application process, please pay attention to avoid the impact of interference sources amplifier, boost lines, etc. on the module, the module power supply circuit to avoid the formation of a series circuit with the power circuit unit, in order to improve overall SNR.
2. About wireless Bluetooth environment, including Bluetooth wireless signals are greatly affected by the surrounding environment, such as trees, metal and other obstructions the wireless signal will have some absorption, so in practical applications, distance data transmission by certain influences.
3. Since Bluetooth module should be supporting existing systems, placed in the housing. Since the metal casing of the radio frequency signals are shielded effect. It is not recommended to be installed in a metal housing.
4. PCB layout: the antenna is part of the Bluetooth module PCB antenna, since the metal will weaken the function of the antenna, in layout to the module when the module antenna to the following non-paved and traces, if hollowed out better.
5. **Amplifier LM386, PAM8403, etc need isolated ground, otherwise will have a lot noise. Recomandedd HT6782**

Suitable Amplifier

- Earphone - SGM4812 (132mw)
- HT6872 (4ohm 3W)
- HT8696 (4ohm 10W)
- PAM8610 (8ohm 10W&4ohm 15W)

Retrieved from "<http://www.electrodragon.com/w/index.php?title=BK8000L&oldid=14062>"

Category: Bluetooth Audio

-
- This page was last modified on 11 April 2017, at 11:41.