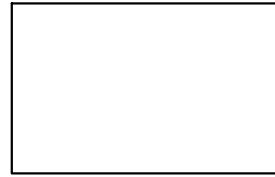
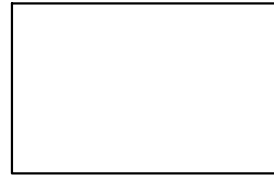


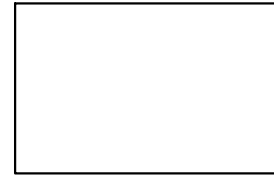
MCU_USB



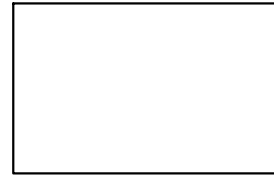
IN_OUT



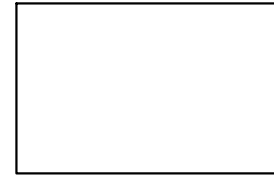
CLOCKS



POWER



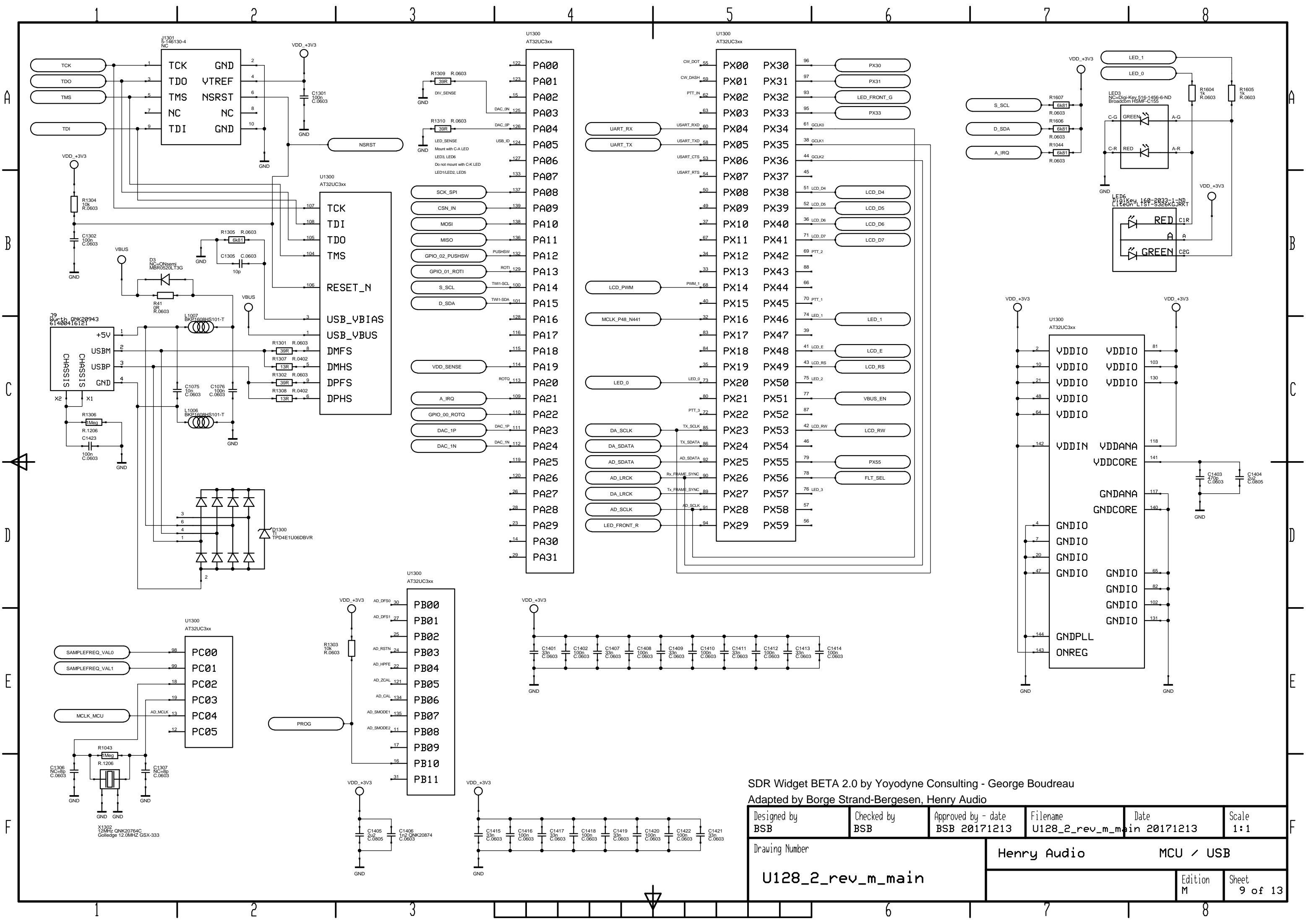
DEBUG



USB DAC 128 mkII schematics by Henry Audio / Børge Strand-Bergesen - borge@henryaudio.com
 is licensed under a Creative Commons Attribution-ShareAlike 4.0 International License.
 Based on a work at http://www.henryaudio.com/uploads/fact_sheet_mkII.pdf
 and SDR Widget BETA 2.0 by Yoyodyne Consulting - George Boudreau
 See <http://creativecommons.org/licenses/by-sa/4.0/>

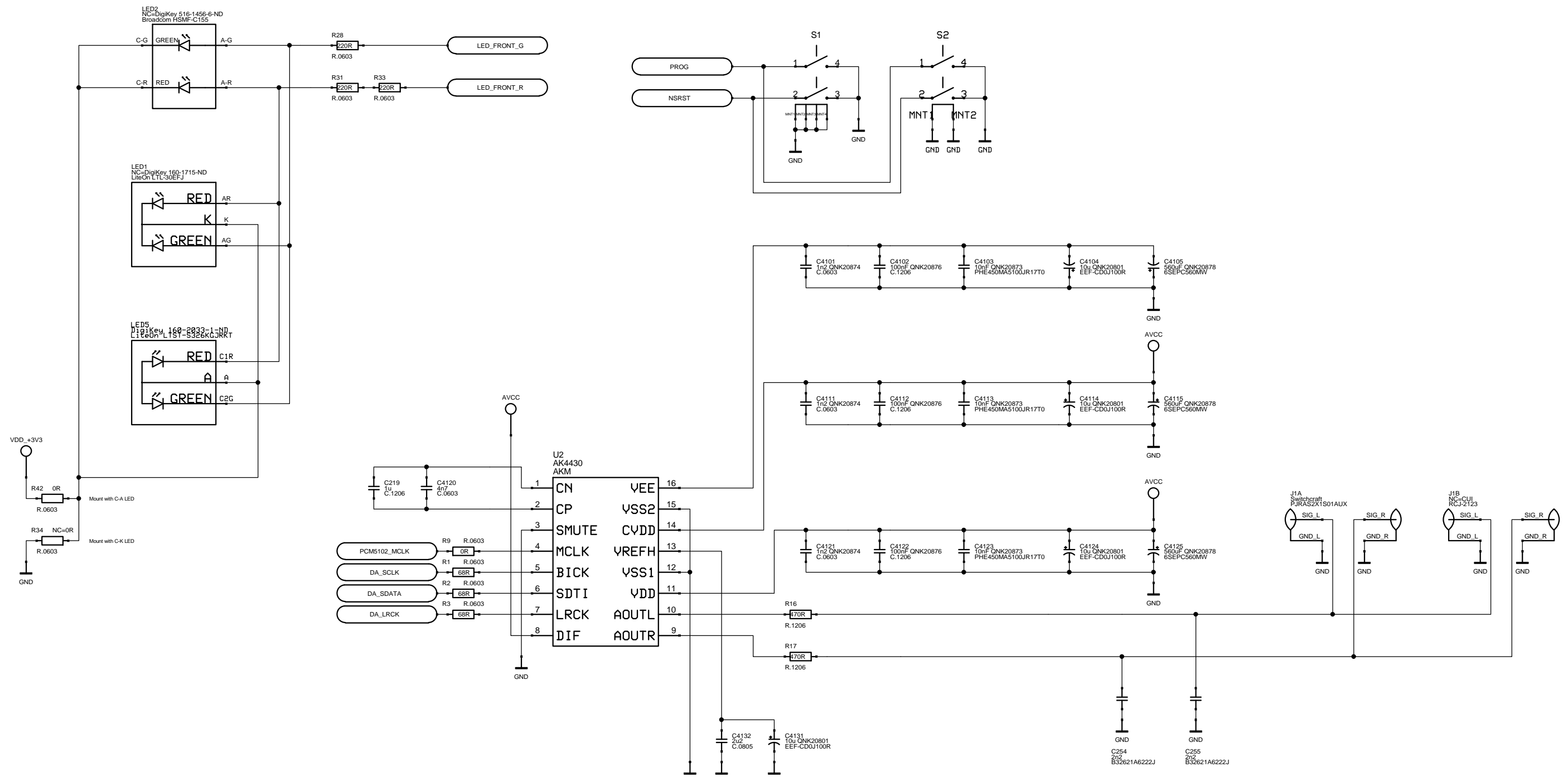
Designed by BSB	Checked by BSB	Approved by - date BSB 20171213	Filename U128_2_rev_m_main	Date 20171213	Scale 1:1
Drawing Number U128_2_rev_m_main			Henry Audio Top		
				Edition M	Sheet 8 of 13



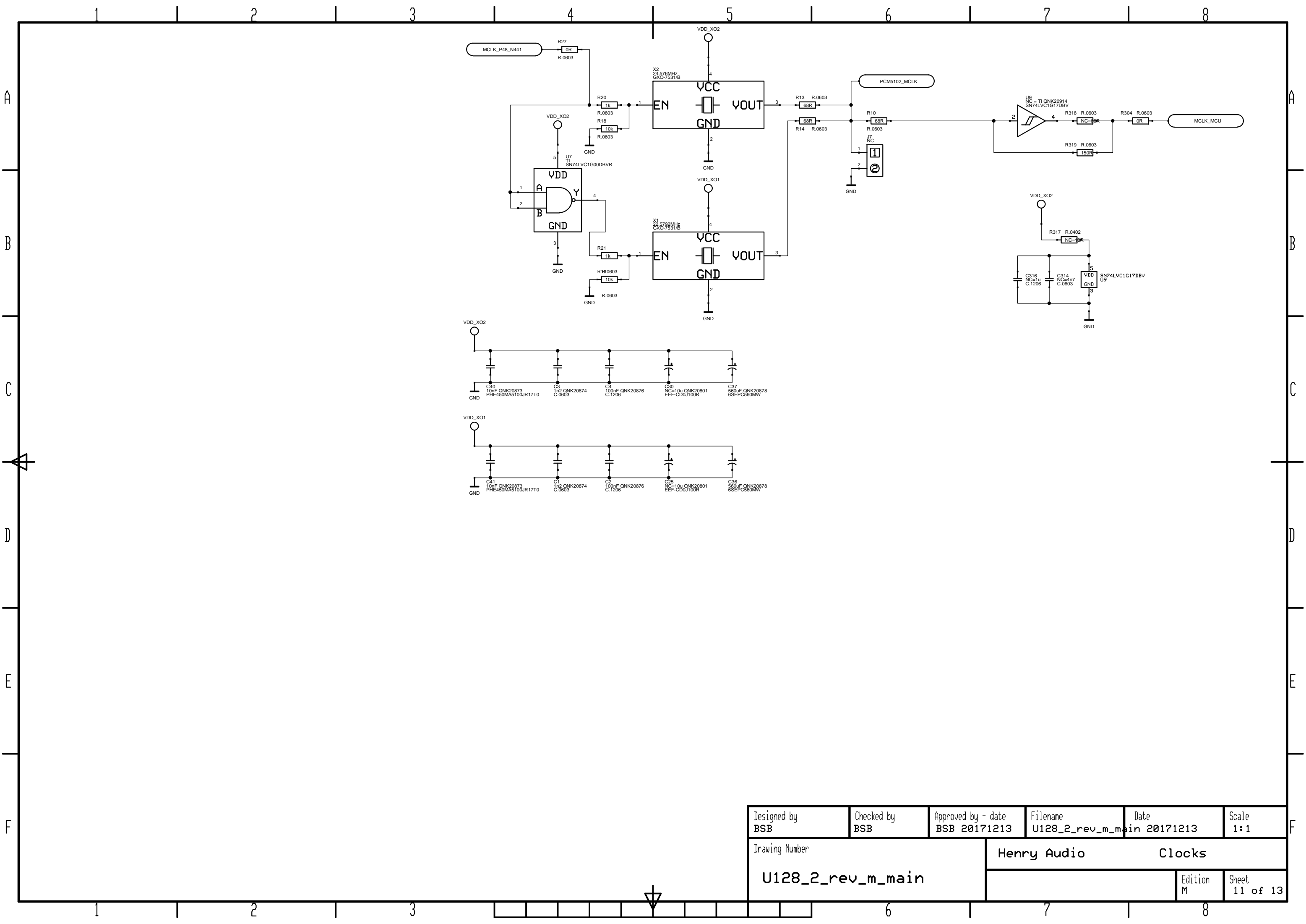


SDR Widget BETA 2.0 by Yoyodyne Consulting - George Boudreau
Adapted by Borge Strand-Bergesen, Henry Audio

Designed by BSB	Checked by BSB	Approved by - date BSB 20171213	Filename U128_2_rev_m_main	Date 20171213	Scale 1:1
Drawing Number U128_2_rev_m_main			Henry Audio MCU / USB		
			Edition M	Sheet 9 of 13	

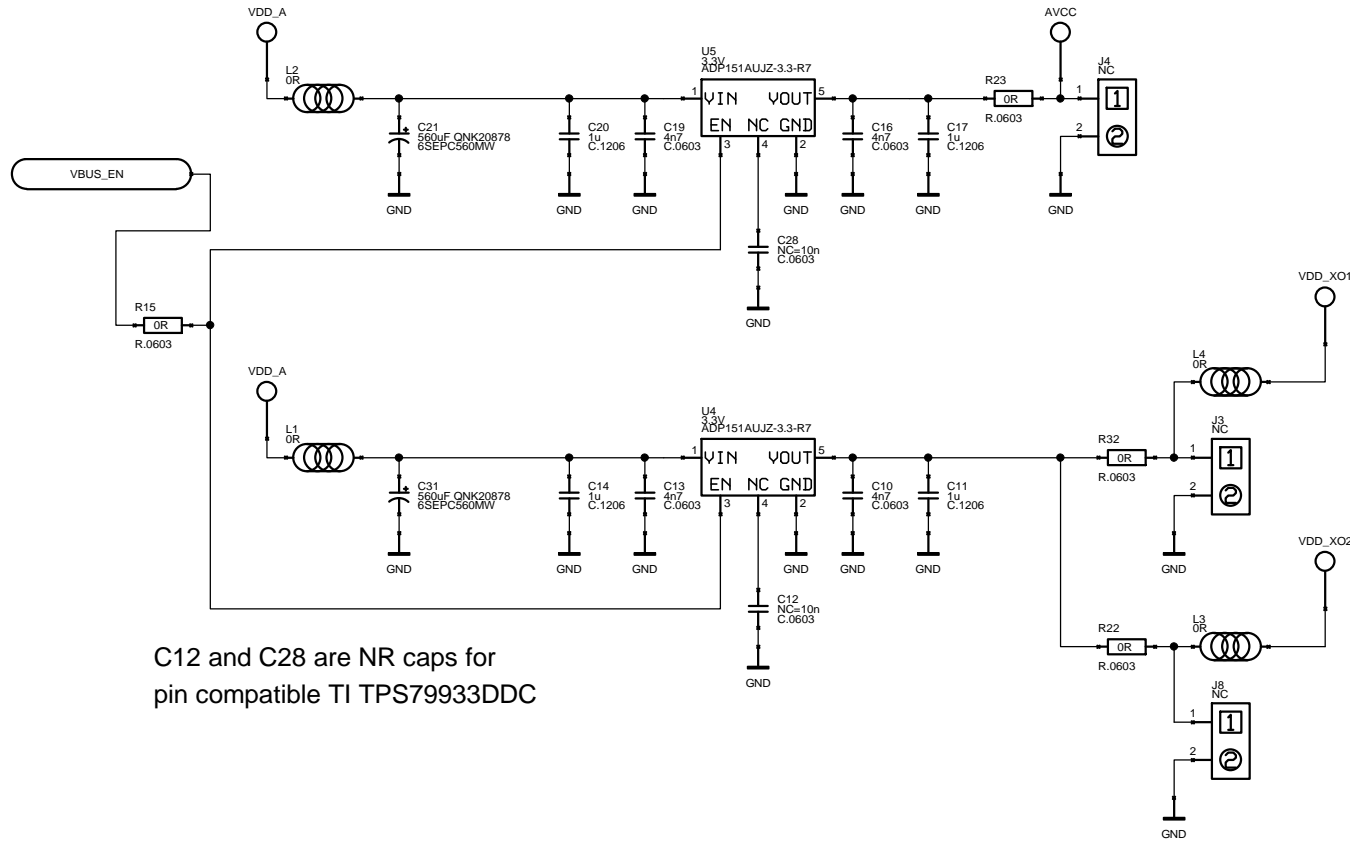


Designed by BSB	Checked by BSB	Approved by - date BSB 20171213	Filename U128_2_rev_m_main	Date 20171213	Scale 1:1
Drawing Number U128_2_rev_m_main			Henry Audio In / Out		
			Edition M	Sheet 10 of 13	



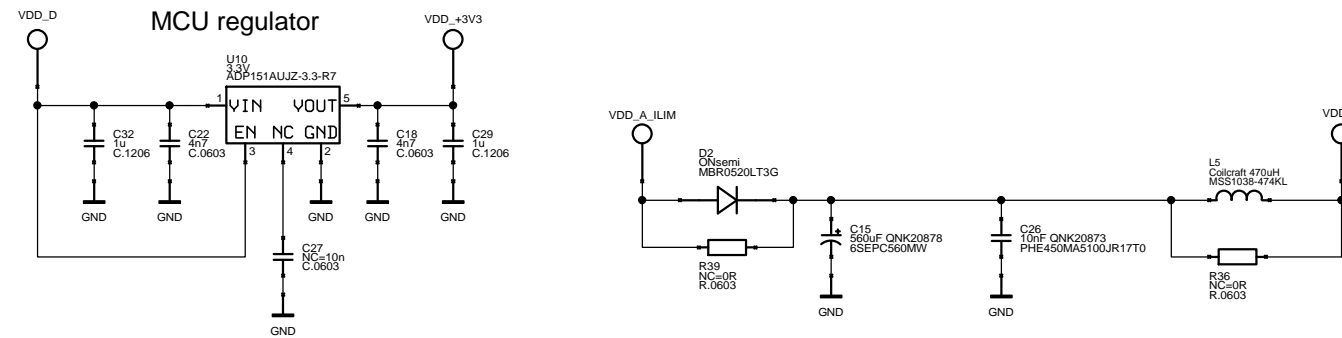
Designed by BSB	Checked by BSB	Approved by - date BSB 20171213	Filename U128_2_rev_m_main	Date 20171213	Scale 1:1
Drawing Number U128_2_rev_m_main			Henry Audio		Clocks
			Edition M	Sheet 11 of 13	

Analog power DAC & clock

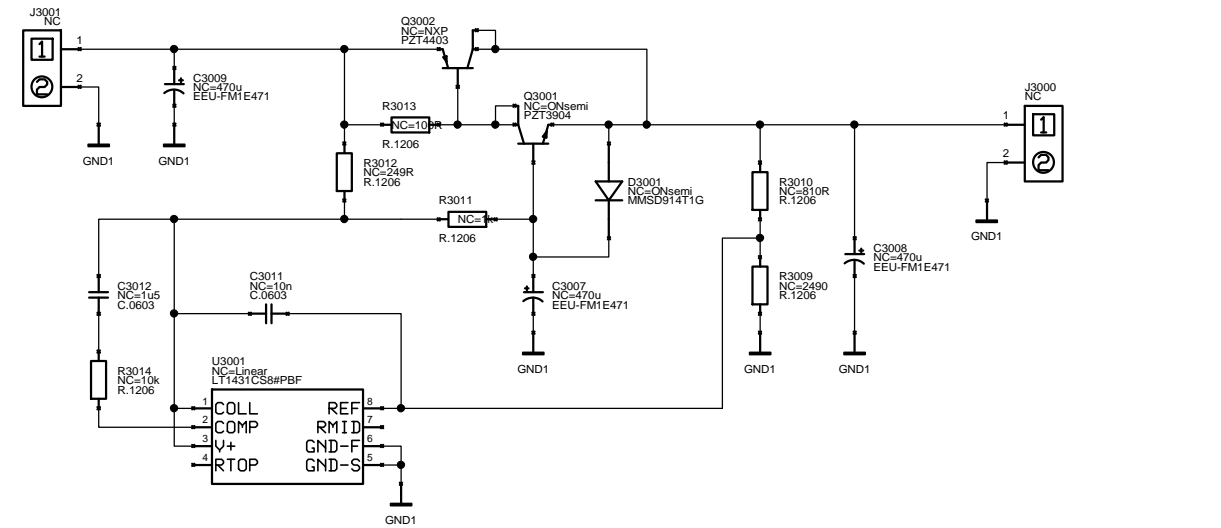
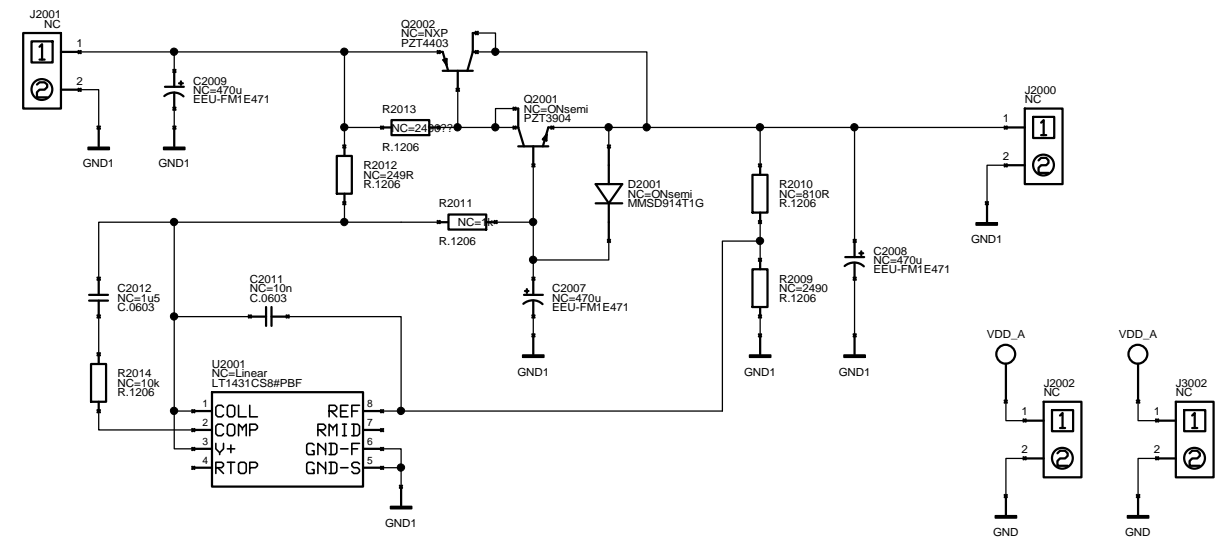


C12 and C28 are NR caps for pin compatible TI TPS7993DDC

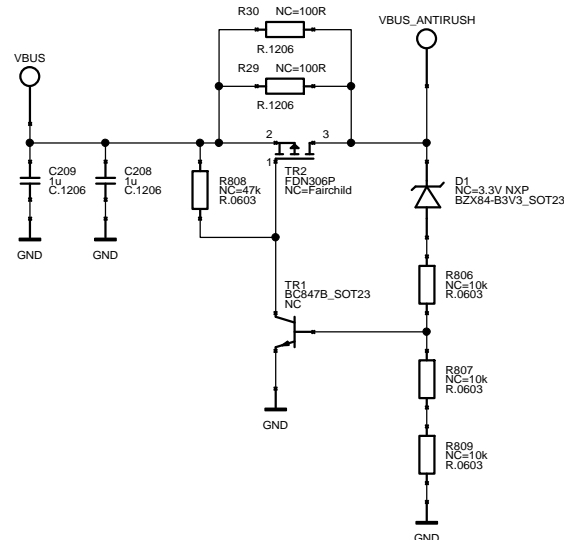
MCU regulator



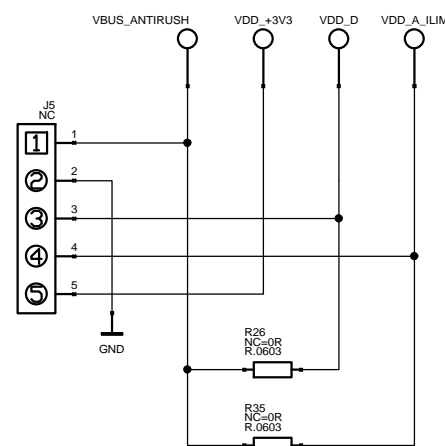
Unpopulated regulator by 1Audio



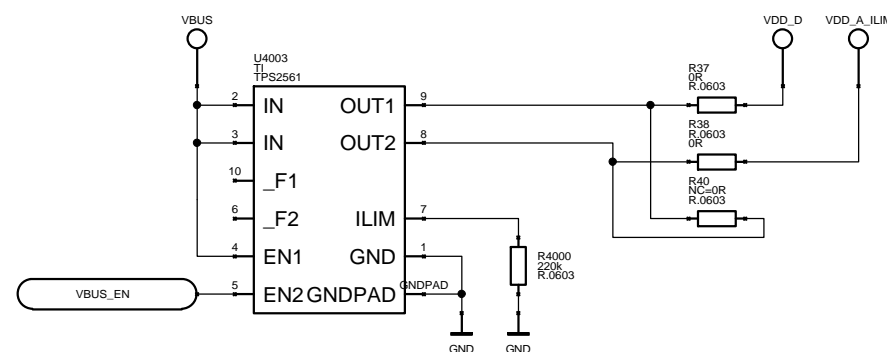
AB-1.x current inrush current limiter



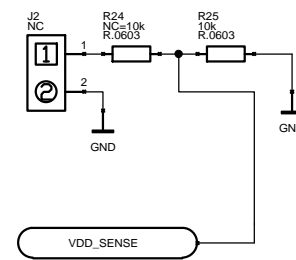
Power bypass breakout



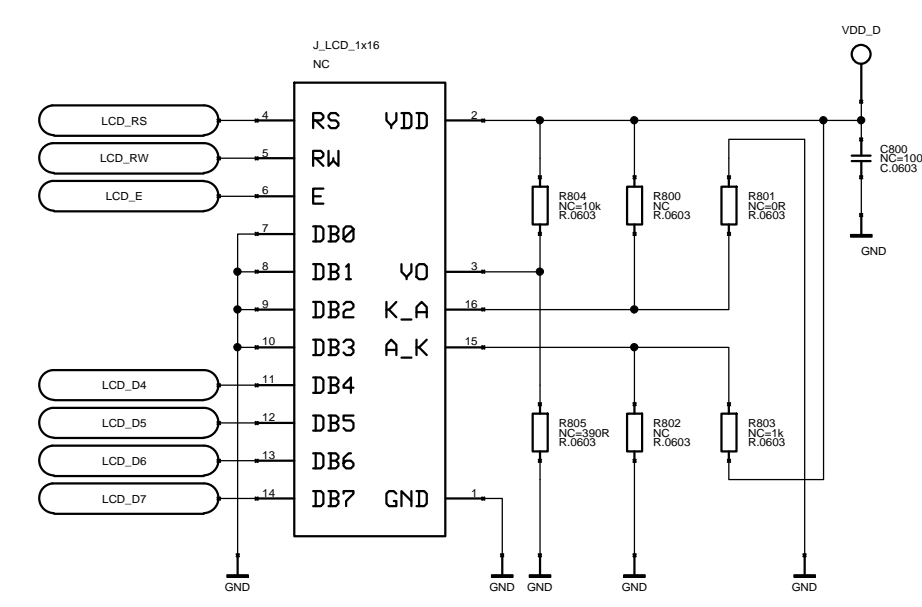
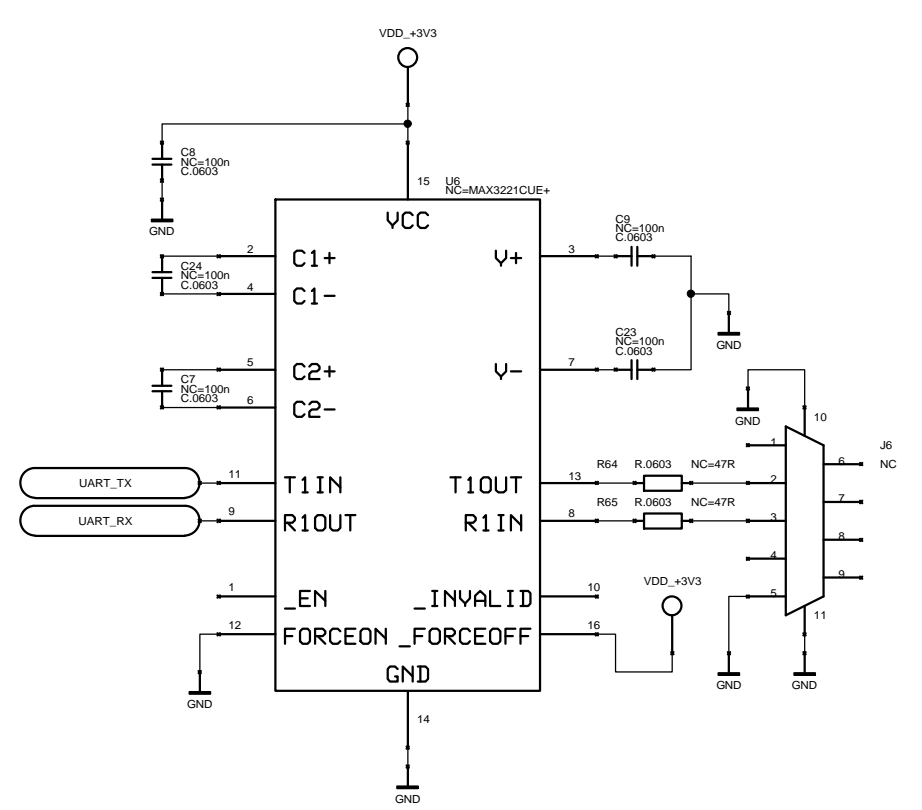
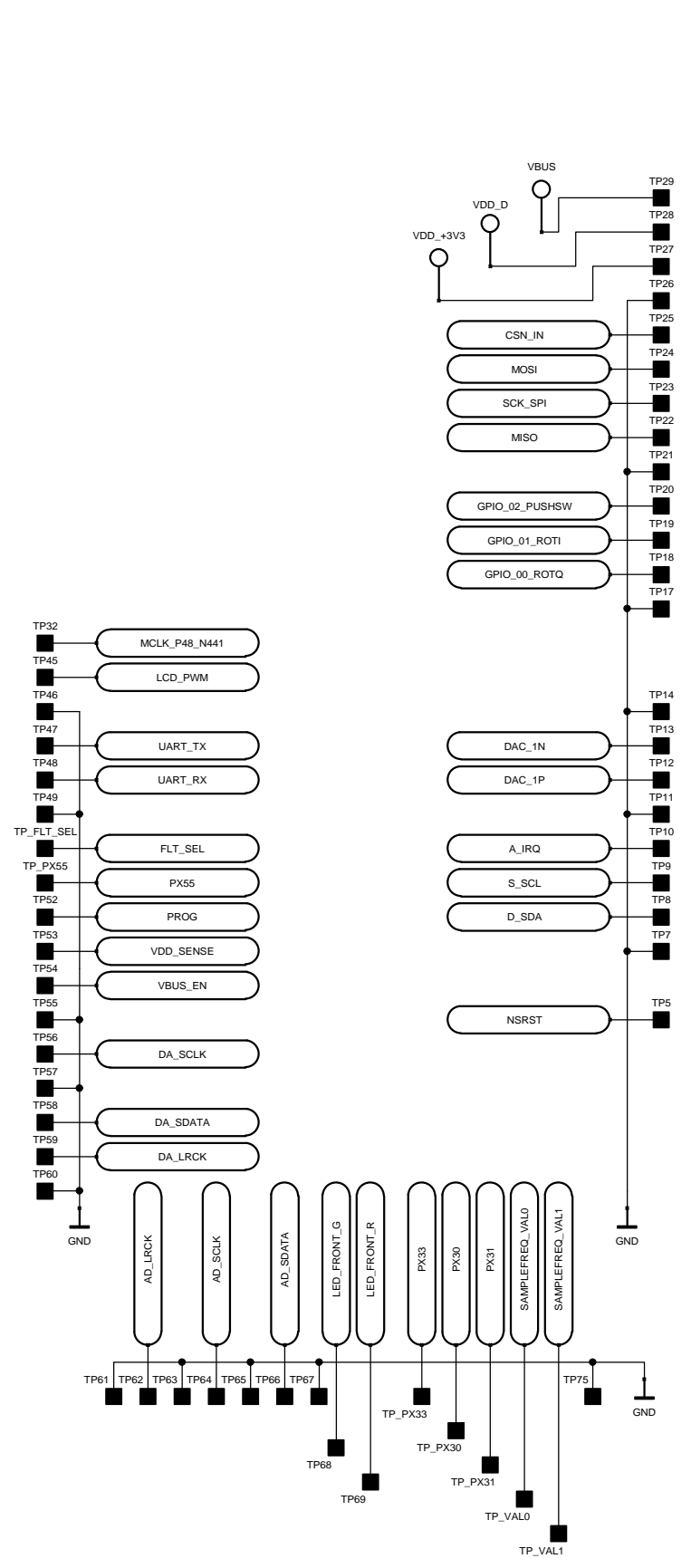
Alternative current limiting power switch



Monitor external power
Not enabled in software



Designed by BSB	Checked by BSB	Approved by - date BSB 20171213	Filename U128_2_rev_m_main	Date 20171213	Scale 1:1
Drawing Number U128_2_rev_m_main			Henry Audio Power		
			Edition M	Sheet 12 of 13	



Designed by BSB	Checked by BSB	Approved by - date BSB 20171213	Filename U128_2_rev_m_main	Date 20171213	Scale 1:1
Drawing Number U128_2_rev_m_main			Henry Audio		USB_I2S_MOD_IO
				Edition M	Sheet 13 of 13