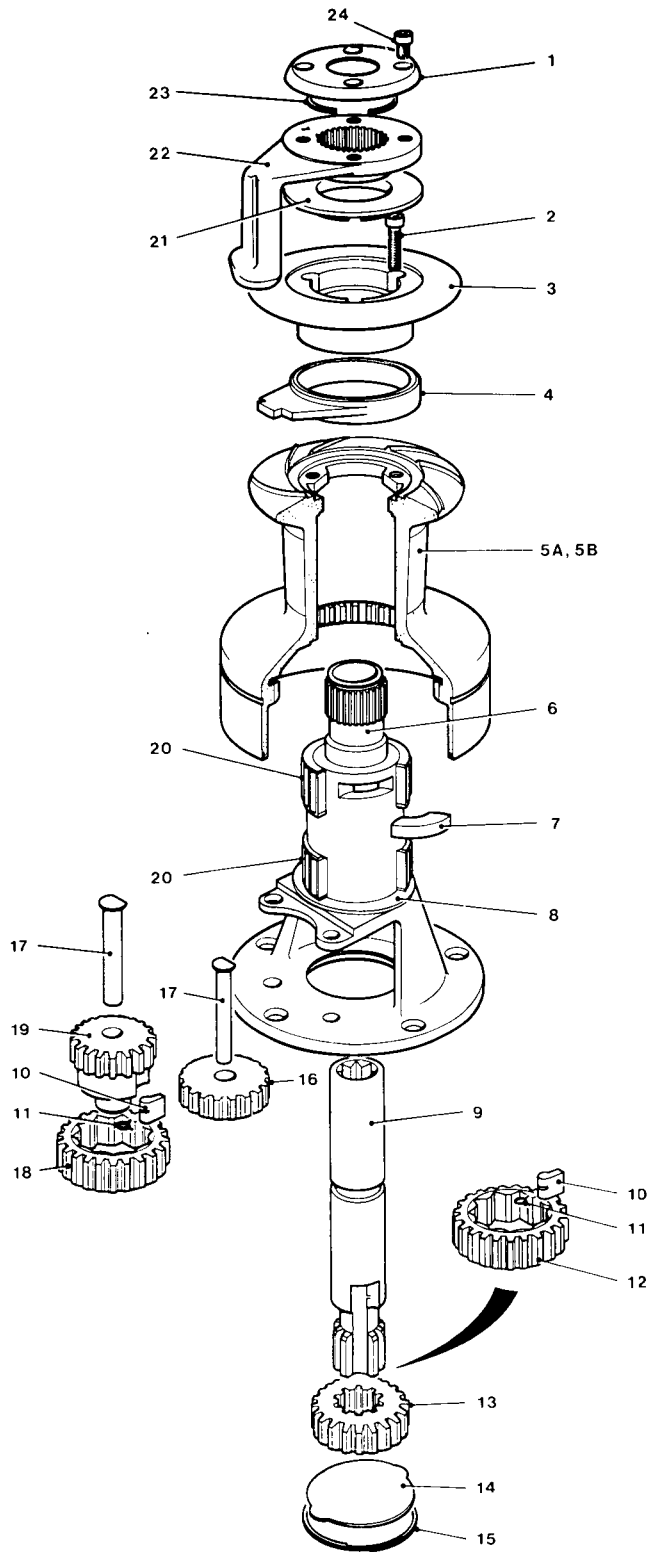


# No. 40ST



## No. 40 Self Tailing Winch

Item No.	Part No.	Description	No. Off
1	15000138	Top Cap	1
2	B 0709	Skt. Hd. Cap Screw – 1/4" UNC x 3/4" Long	3
3	15000124	Upper Crown Plate	1
4	15000137	Stripper Ring	1
5A	15000226	Drum – Bronze	1
5B	15000123	Drum – Alloy	1
6	15000117	Centre Stem	1
7	15010005	Key	1
8	15000175	Drum Washer	1
9	18000008	Spindle Assy.	1
10	1260/8	Pawl	4
11	1260/7	Pawl Spring	4
12	15000125	Ratchet Gear	1
13	15000136	Splined Gear	1
14	15000142	Retaining Plate	1
15	B 2085	Circlip	1
16	15000127	Idler Gear	1
17	15000141	Gear Spindle	2
18	15000135	Ratchet Gear	1
19	15000130	Pawl Gear	1
20	15010007	Roller Bearing	2
21	15000140	Flanged Bush	1
22	15000134	Stripper Arm	1
23	15042608	Split Collet	2
24	B 0733	Skt. Hd. Cap Screw – 1/4" UNC x 3/8" Long	4