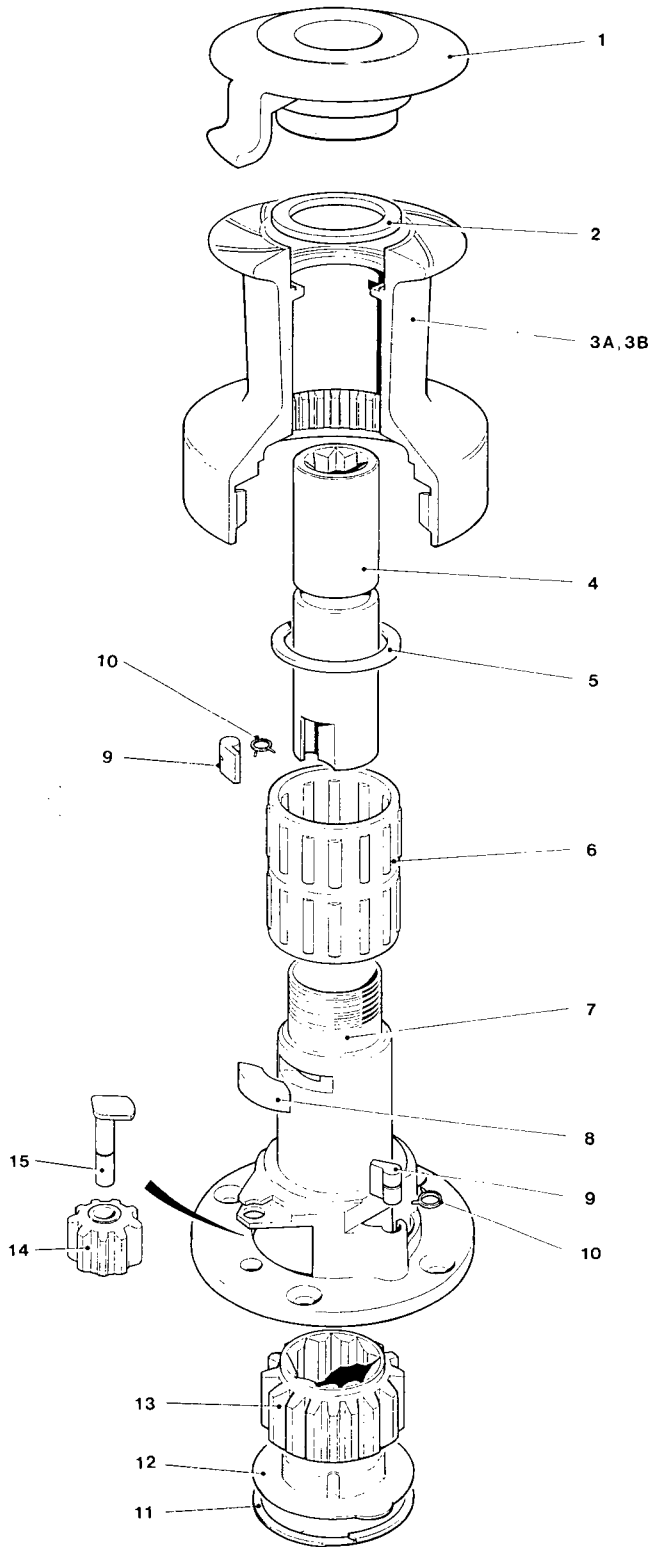


No. 16ST



No. 16 Self Tailing Winch

Item No.	Part No.	Description	No. Off
1	15016604	Stripper Nut/Top Cap	1
	B 2404	Helicoil Insert	1
2	15016010	Washer	1
3A	15016402	Drum – Bronze	1
3B	15016502	Drum – Alloy	1
4	15016603	Spindle	1
5	15008004	Washer	1
6	15008007	Roller Bearing	2
7	15000189	Centre Stem	1
8	15008005	Key	1
9	1260/8	Pawl	4
10	1260/7	Pawl Spring	4
11	B 2085	Circlip	1
12	15016007	Retaining Plate	1
13	15000098	Ratchet Gear	1
14	15000099	Idler Gear	1
15	15000128	Idler Spindle	1