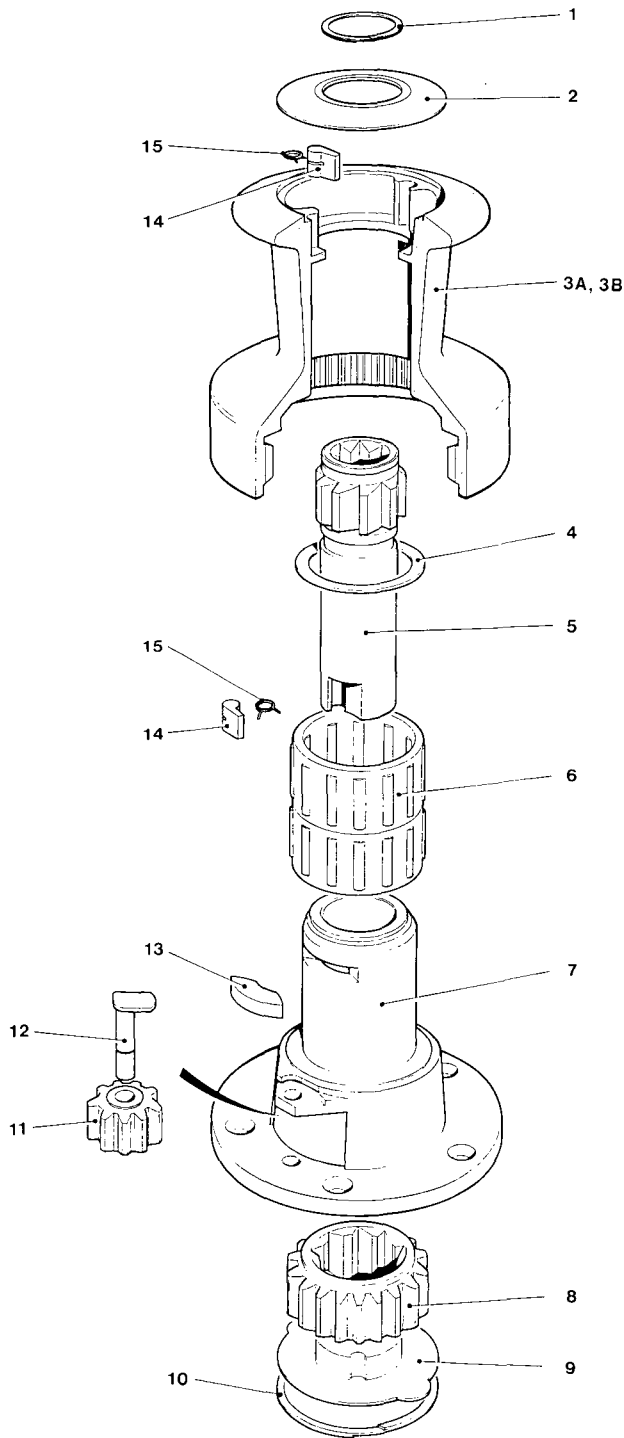


# No. 16



## No. 16 2 Speed Winch

Item No.	Part No.	Description	No. Off
1	B.2075	Circlip	1
2	18000051	Top Cap	1
3A	15016102	Drum – Bronze	1
3B	15016202	Drum – Alloy	1
4	15008004	Drum Washer	1
5	15000336	Spindle Assembly	1
6	15008007	Roller Bearing	2
7	15000115	Centre Stem	1
8	15000098	Ratchet Gear	1
9	15016007	Retaining Plate	1
10	B.2085	Circlip	1
11	15000099	Idler Gear	1
12	15000128	Idler Spindle	1
13	15008005	Key	1
14	1260/8	Pawl	4
15	1260/7	Pawl Spring	4